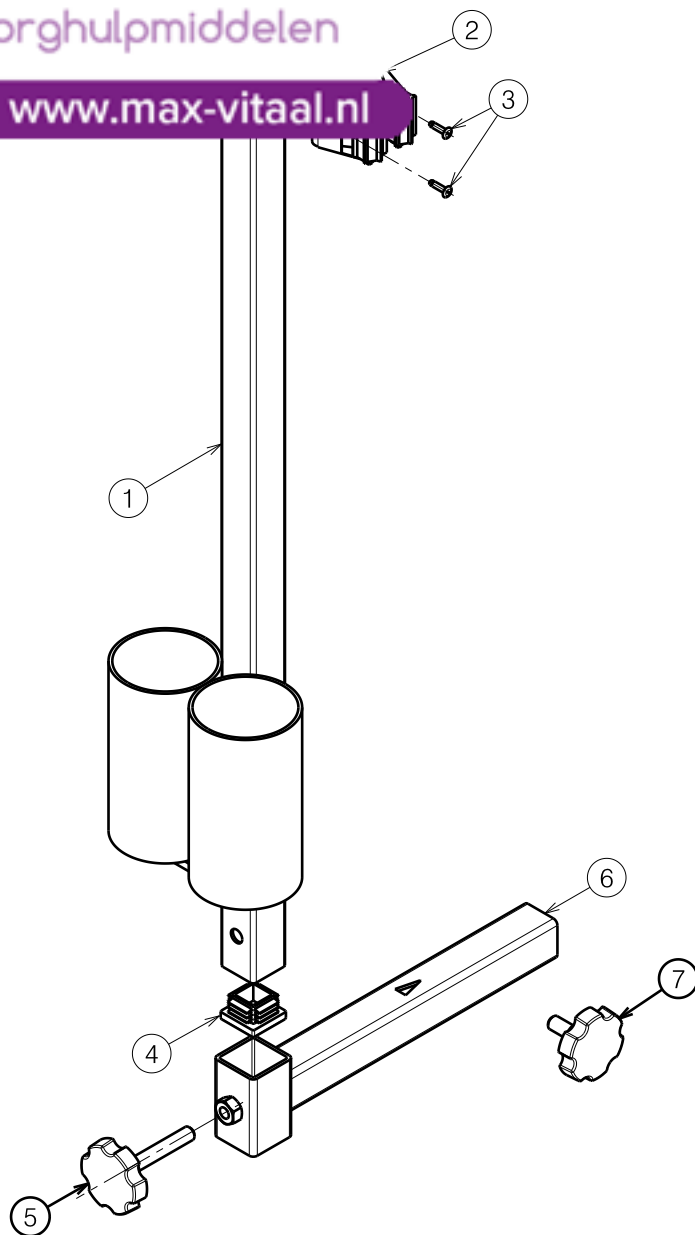




www.max-vitaal.nl



Material			
No.	Plan	Article	Quantity
1	Y017126	1740054	1
2	Ø22	1908818	2
3	Ø3x10	1908849	4
4	25x25	1001617	2
5	VGF40 M8x45	2990016	1
6	Y023056	2051554	1
7	VGF40 M8x16	2990024	1

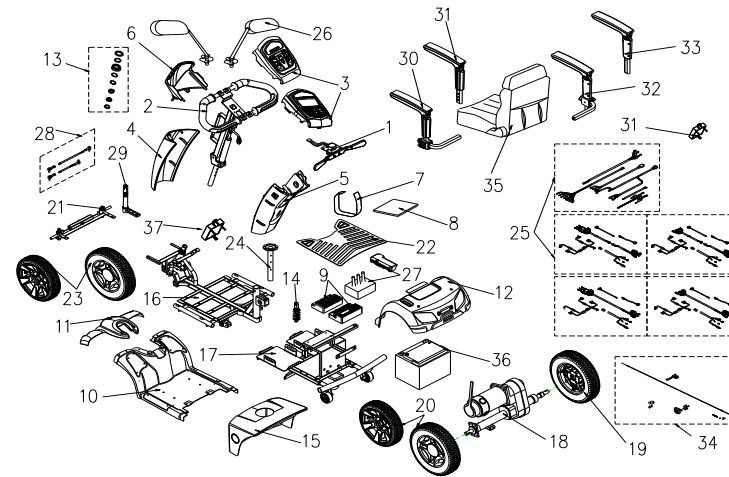
E000649 / L

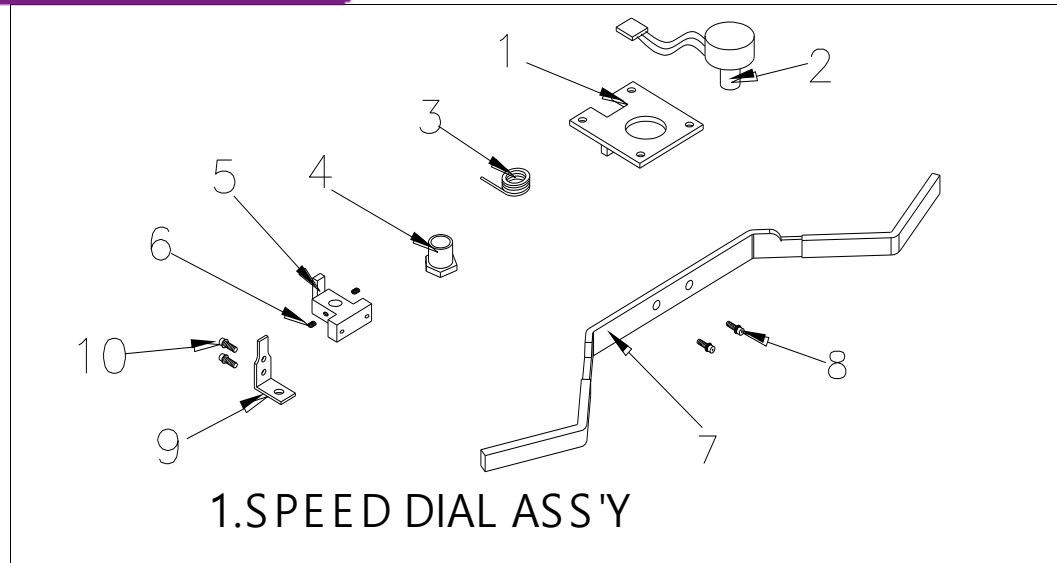
2991004

B31 CRUTCH HOLDER				Plan Number
				E000649/L
Scale: 1:4	Drafted	Verified	Confirmed	
Date	13/09/2010	20/09/2018	20/09/2018	
Initials	TT	TT	PJ	

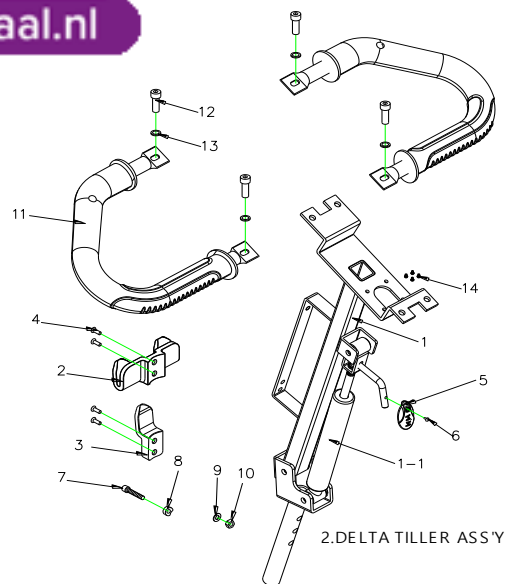


www.max-vitaal.nl

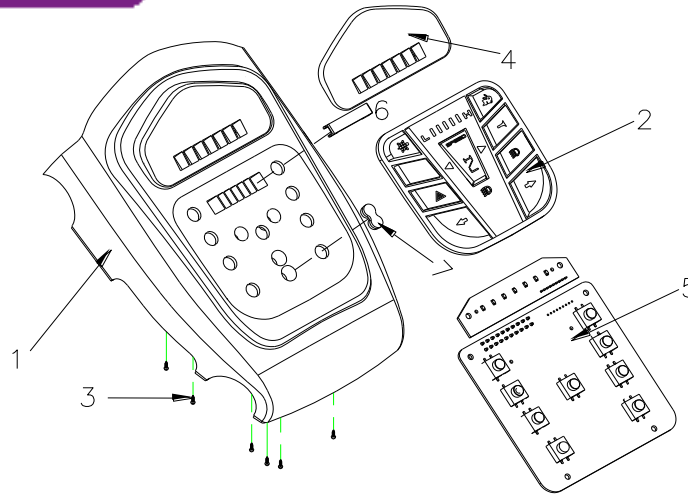




Fig&Index NO.	Parts No.	Description	QTY.	Remark
1	1904224	SPEED DIAL ASS'Y	1 SET	
1-1	1910534	FIX PLATE , SPEED LEVER	1	
1-2	1905862	VR ONLY	1	
1-3	1901981	TORSION SPRING , SPEED LEVER	1	
1-4		NUT	1	
1-5		HOLDER , SPEED LEVER	1	
1-6		LOCKING SCREW , 4x4	2	
1-7	1906357	SPEED LEVER	1	
1-8		BOLT ,M4x12	2	
1-9		HOLDER , SPEED LEVER COMP.	1	
1-10		BOLT ,M3x4L	2	



Fig&Index NO.	Parts No.	Description	QTY.	Remark
2	1908548	DELTA TILLER ASSY	1 SET	
2-1	1905288	DELTA TILLER	1	
2-1-1	1904289	OIL PRESSURE STICK 45KG	1	
2-2	1904362	BASKET HOLDER,PAINTED UPPER	1	
2-2	1909173	BASKETHOLDER PVC UPPER	1	
2-3	1904363	BASKET HOLDER,PAINTED LOWER	1	
2-3	1909174	BASKETHOLDER PVC LOWER	1	
2-4	1909174	BOLT M6x40L	4	
2-5	1904288	SHAFT	1	
2-6		CR ROUND HD SCREW M4x8L	1	
2-7	2994915	HEX FLANGE BOLT M8x40L	2	
2-8		WASHER	1	
2-9	1001556	WASHER M8	1	
2-10	1007557	LUCK NUT M8x1.25	1	
2-11	1904316	DELTA BAR SET W/I PU FOAMED	2	
2-12		BOLT M6x15L	4	
2-13		WASHER M8xOD13xD6.5x1mm	4	
2-14		BOLT M3x8L	4	
	1904455	TILLER SHAFT	1	



3. COVER , HANDLE BAR ASS'Y

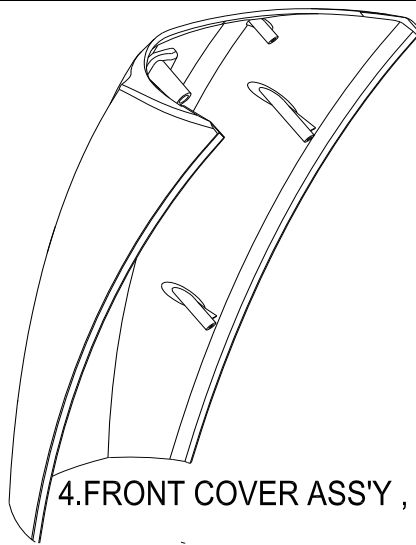
Fig&Index NO.	Parts No.	Description	QTY.	Remark
3	1904856	COVER , HANDLE BAR ASS'Y , UPPER , BE 01	1 SET	
3-1	1905516	COVER , HANDLE BAR , UPPER	1	
3-2	1904318	CONTROL PANEL BUTTON	1	
3-3		BOLT M3x8L	6	
3-4		BATTERY INDICATOR , BE 01	1	
3-5		CONTROL PANEL PC BOARD	1	
3-6		SPEED INDICATOR PAD	1	
3-7		FRONT/REAR LIGHT DISPLAY PAD	1	
3		COVER , HANDLE BAR ASS'Y , UPPER , BE01	1 SET	
3-1		COVER , HANDLE BAR , UPPER	1	
3-2		CONTROL PANEL BUTTON (inclu. CRUISE CONTROL)	1	
3-3	191	BOLT M3x8L	6	
3-4	1904229	BATTERY INDICATOR , BE 01	1	
3-5	1904230	CONTROL PANEL PC BOARD	1	
3-6		SPEED INDICATOR PAD	1	
3-7		FRONT/REAR LIGHT DISPLAY PAD	1	



Fig&Index NO.	Parts No.	Description	QTY.	Remark
3	1908936	COVER , HANDLE BAR ASS'Y , UPPER , FOR LCD USE	1 SET	
3-1	1908754	COVER , HANDLE BAR , UPPER	1	
3-2	1908604	CONTROL PANEL PC BOARD	1	
3-3	1910236	CONTROL PANEL BUTTON	1	
3-4	1910237	PC BOARD COVER	1	
3-5		BOLT M3x8L	1	
3-6	1910563	WATER DEEP COVER	1	

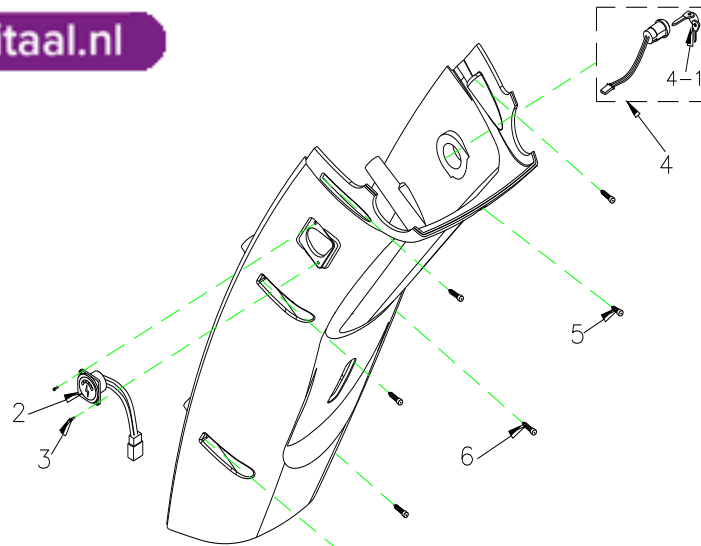


www.max-vitaal.nl



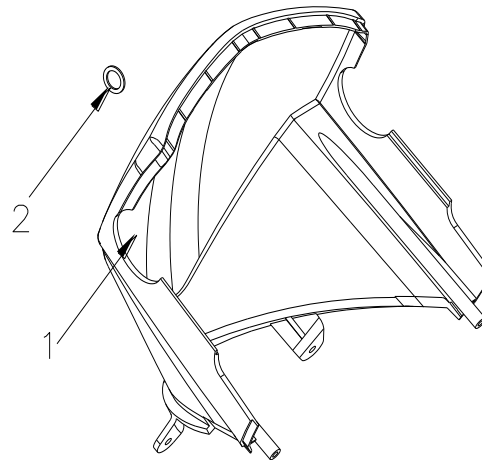
4.FRONT COVER ASS'Y , HAND BAR

Fig&Index NO.	Parts No.	Description	QTY.	Remark
4	1904321	FRONT COVER , HAND BAR, SILVER 71	1	
4	1909910	FRONT COVER , HAND BAR, BROWN 82	1	
4	1917162	FRONT COVER HAND BAR GREY 77	1	
4	1904322	FRONT COVER HAND BAR WHITE	1	



5.REAR COVER ASS'Y , HAND BAR

Fig&Index NO.	Parts No.	Description	QTY.	Remark
5		REAR COVER ASS'Y , HAND BAR , SILVER 71	1 SET	
5-1	1909909	REAR COVER , HAND BAR , BROWN 82	1	
5-1	1904325	REAR COVER , HAND BAR , SILVER 71	1	
5-1	1917163	REAR COVER , HAND BAR , GREY 77	1	
5-2	1904249	CHARGER SOCKET ASS'Y	1	
5-3	1907667	CR PAN HD SCREW , M3 X15	2	
5-4	1904250	IGNITION SWIITCH ASS'Y	1	
5-4-1	1904251	KEY	1	
5-5		BOLT M4x20L	1	
5-6	1907505	BOLT M4x20L	6	
5		REAR COVER ASS'Y , HAND BAR , BROWN 82	1 SET	
5-1		REAR COVER , HAND BAR , BROWN 82	1	
5-2	1904249	CHARGER SOCKET ASS'Y	1	
5-3		CR PAN HD SCREW , M2.5x8L	2	
5-4	1904250	IGNITION SWIITCH ASS'Y	1	
5-4-1	1904251	KEY	1	
5-5		BOLT M4x20L	1	
5-6		BOLT M4x20L	6	



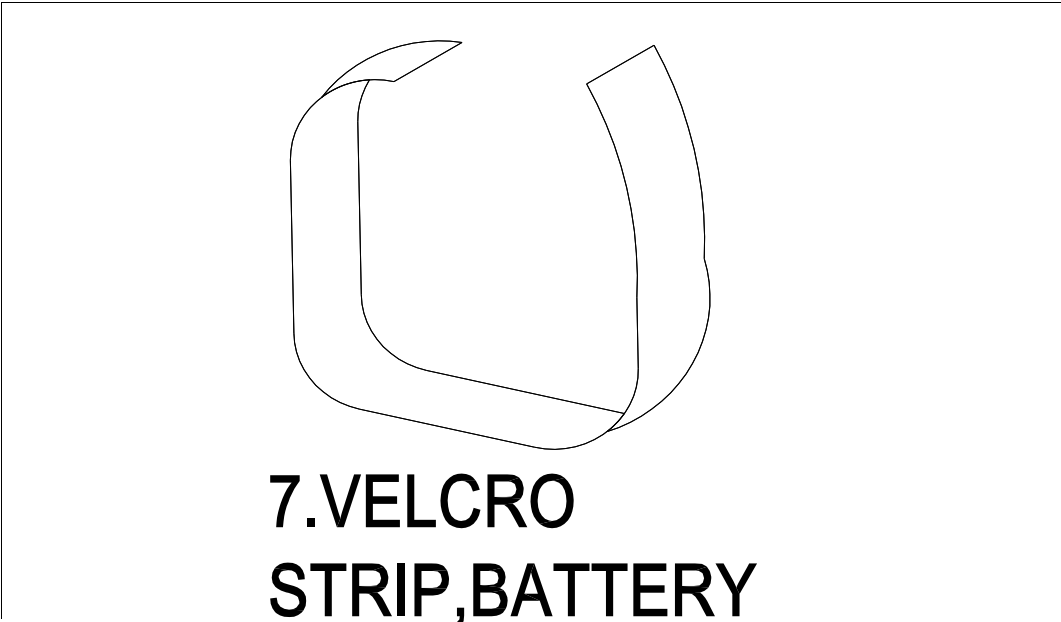
6.COVER , HANDLE BAR , LOWER ASS'Y

Fig&Index NO.	Parts No.	Description	QTY.	Remark
6		COVER ASS'Y , HANDLE BAR , LOWER , SILVER 71	1 SET	
6-1	1917164	COVER , HAND BAR , LOWER , GREY 77	1	
6-1	1904338	COVER , HAND BAR , LOWER , SILVER 71	1	
6-2	1912152	PLUG	1	
6-1	1908333	COVER , HAND BAR , LOWER , BROWN 82	1	
6-2	1912152	PLUG	1	
6-1	1904339	TILLER HEAD COVER, WHITE 91	1	



zorghulpmiddelen

www.max-vitaal.nl



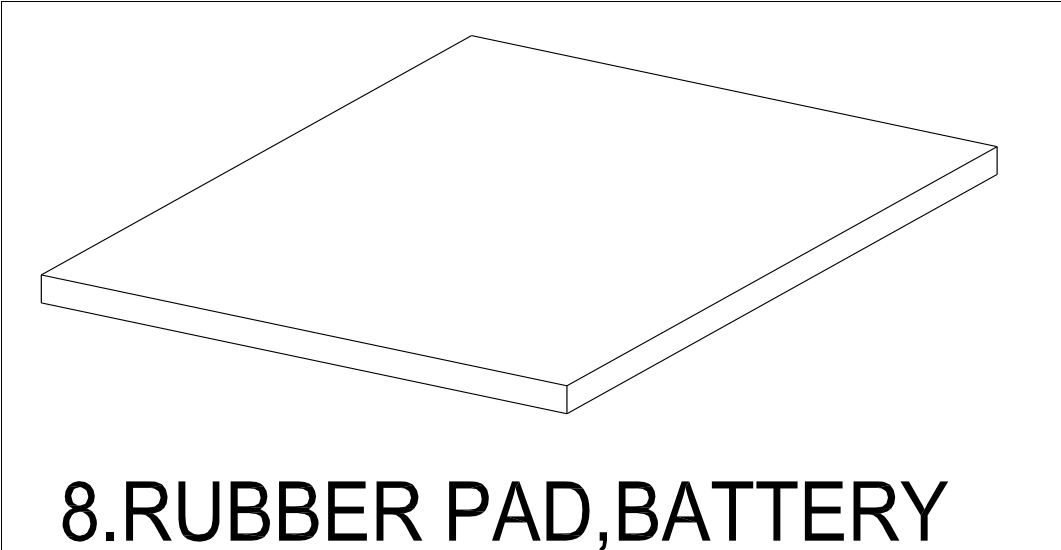
7.VELCRO STRIP,BATTERY

Fig&Index NO.	Parts No.	Description	QTY.	Remark
7	1907731	VELCRO STRIP , BATTERY	1	



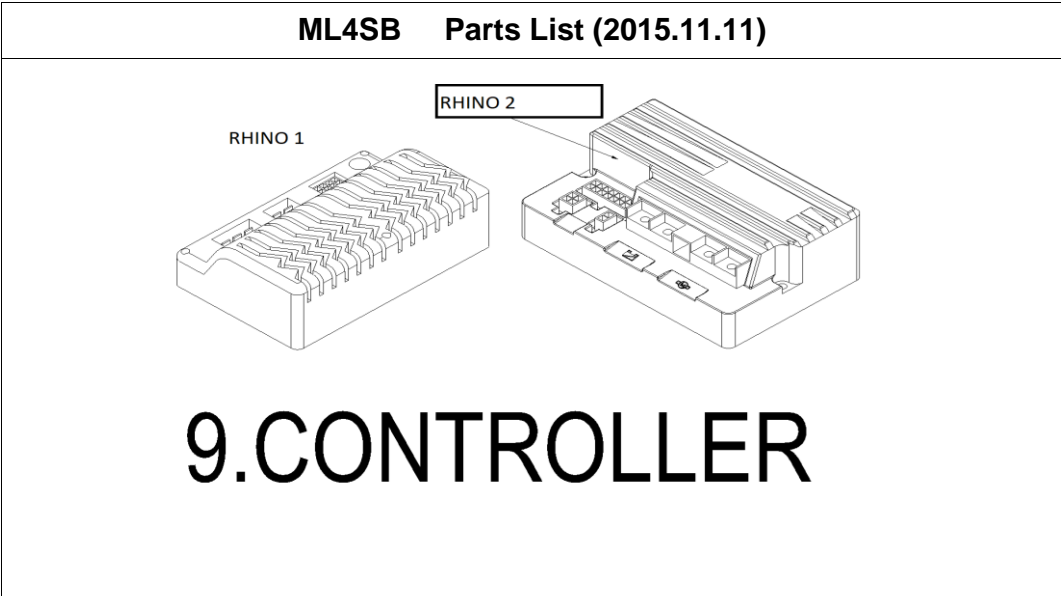
zorghulpmiddelen

www.max-vitaal.nl

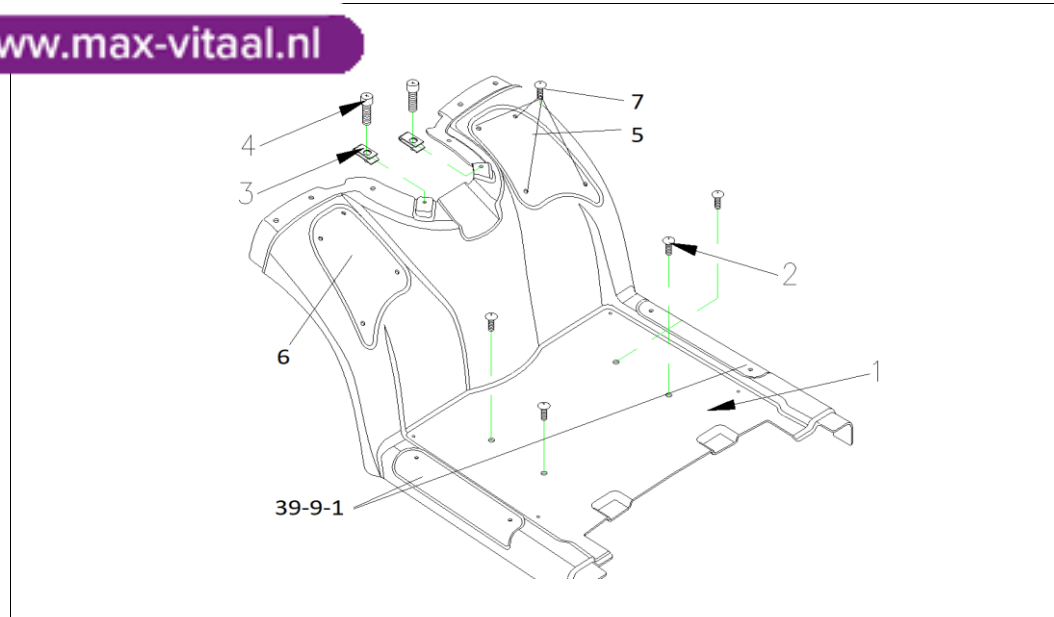


8.RUBBER PAD,BATTERY

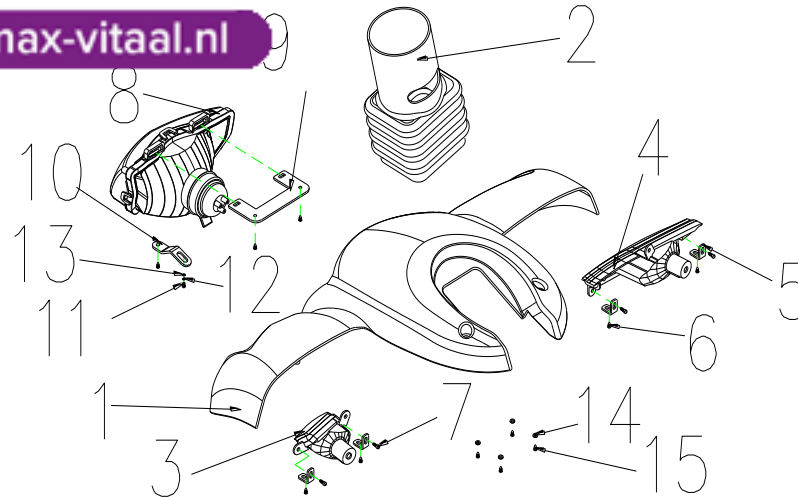
Fig&Index NO.	Parts No.	Description	QTY.	Remark
8	1912420	RUBBER PAD , BATTERY	1	



Fig&Index NO.	Parts No.	Description	QTY.	Remark
9	1907982	CONTROLLER , DYNAMIC 160A , FOR RHINO 2 CONTROLLER , DYNAMIC 160A , FOR RHINO 1 (no longer available)	1	

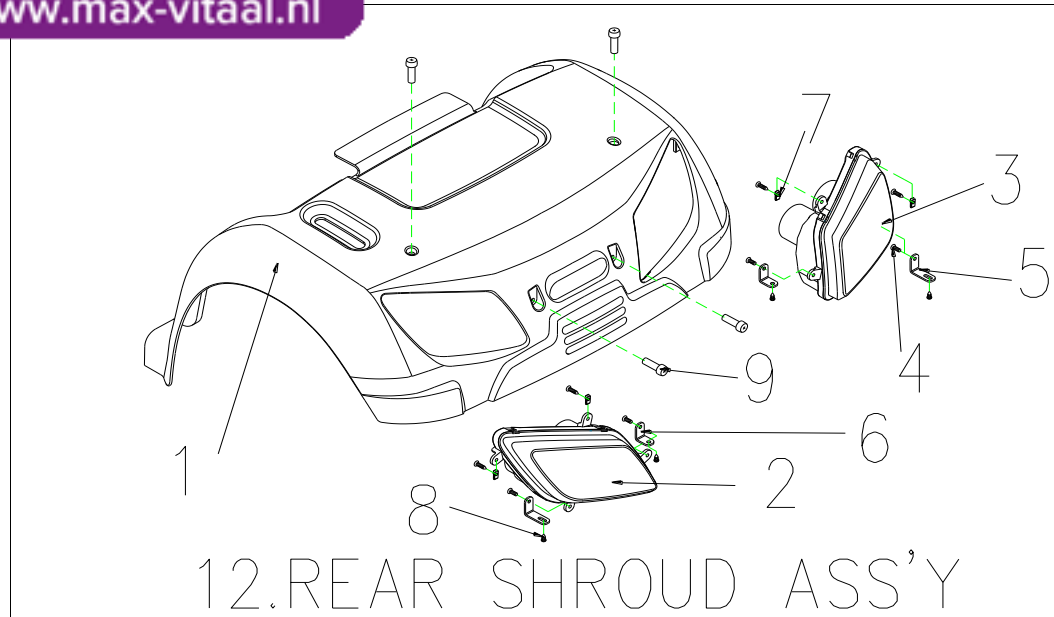


Fig&Index NO.	Parts No.	Description	QTY.	Remark
10		MIDDLE SHROUD ASS'Y , CHAMPAGNE	1 SET	
10-1	1909968	MIDDLE SHROUD , CHAMPAGNE	1	
10-2		BOLT M6x20L	4	
10-3		U-TYPE SPRING NUT	2	
10-4		BOLT M6x20L	2	
10		MIDDLE SHROUD ASS'Y , BROWN	1 SET	
10-1	1917166	MIDDLE SHROUD , GREY 77	1	
10-1	1909967	MIDDLE SHROUD , BROWN 82	1	
10-2		BOLT M6x20L	4	
10-3		U-TYPE SPRING NUT	2	
10-4		BOLT M6x20L	2	
39-9-1	1906217	SIDE PROTECTION	2	
	1906218	PVC RIVET .M6.5 5 (NOT DEPICTED)	4	
5	1910176	RUBBER FOOT PROTECTION R	1,00	
6	1910175	RUBBER FOOT PROTECTION L	1,00	
7	1912207	M6 PVC SCREW	8	

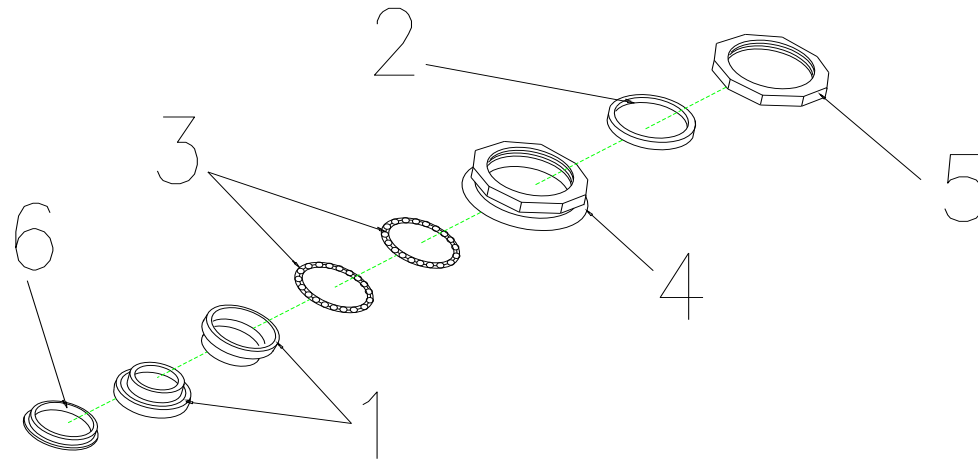


11.FRONT SHROUD ASS'Y

Fig&Index NO.	Parts No.	Description	QTY.	Remark
11	1905329	FRONT SHROUD ASS'Y CHAMPAGNE	1 SET	
11-1	1904354	FRONT SHROUD,CHAMPAGNE	1	
11-1	1917165	FRONT SHROUD, GREY 77	1	
11-2	1905198	RUBBER COVER, FRONT SHROUD	1	
11-3	1904261	FRONT SIGNAL LAMP - L	1	
11-4	1904262	FRONT SIGNAL LAMP - R	1	
11-5	1904274	FRONT SIGNAL LAMP BRACKET	4	
11-6	1905520	BOLT M4x12L	7	
11-7	1905521	BOLT M4x10L	4	
11-8	1904263	HEADLIGHT	1	
11-9	1904264	HEADLIGHT BRACKET	1	
11-10	1904265	HEADLIGHT ADJUSTING PLATE	1	
11-11			1	
11-12			1	
11-13			5	
11-14	1905556	WASHER , 8mm	4	
11-15	1905561	BOLT M4x10L(ED)	4	
11		FRONT SHROUD ASS'Y , BROWN	1 SET	
11-1	1908577	FRONT SHROUD,BROWN	1	

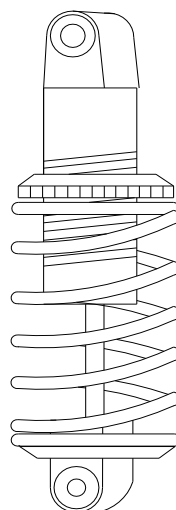


Fig&Index NO.	Parts No.	Description	QTY.	Remark
12	1906204	REAR SHROUD ASS'Y , CHAMPAGNE	1 SET	
12-1	1904266	REAR SHROUD , CHAMPAGNE	1	
12-1	1917161	REAR SHROUD , GREY 77	1	
12-2	1904268	REAR SIGNAL LAMP , L	1	
12-3	1904269	REAR SIGNAL LAMP , R	1	
12-4	1904269	BOLT M4x10L	4	
12-5	1908622	REAR SIGNAL LAMP BRACKET - LONG	4	
12-6	1908623	REAR SIGNAL LAMP BRACKET - SHORT	4	
12-7		U-TYPE SPRING NUT	4	
12-8		BOLT M4x12L	8	
12-9		BOLT M6x20L	4	
12	1909039	REAR SHROUD ASS'Y , BROWN	1 SET	
12-1	1908787	REAR SHROUD , BROWN	1	



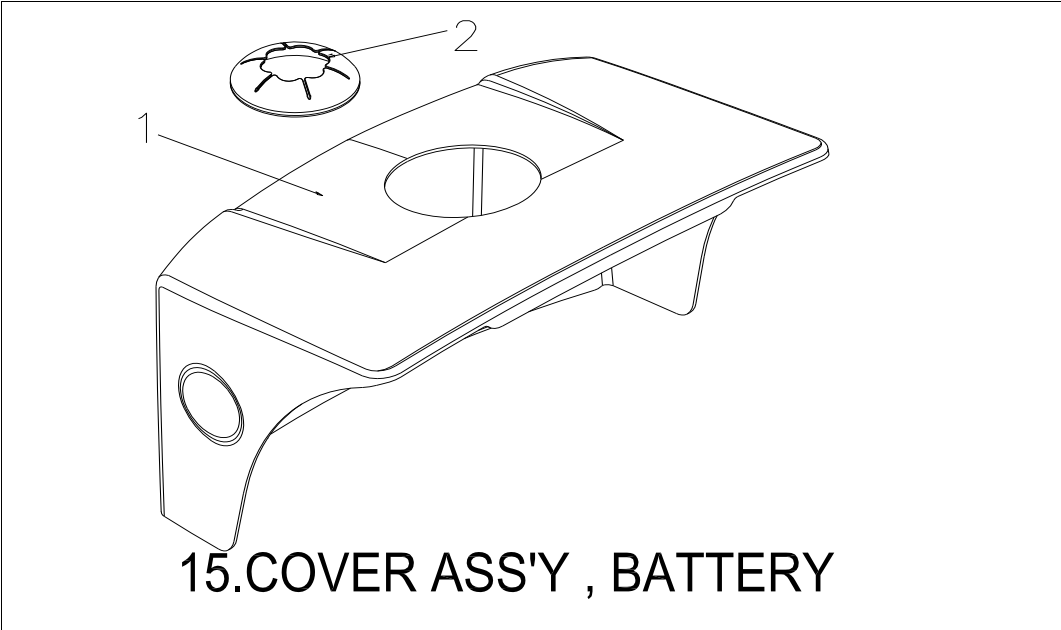
13.REGULAR BEARING BALL SET

Fig&Index NO.	Parts No.	Description	QTY.	Remark
13	1904315	REGULAR BEARING BALL SET	1 SET	
13-1		CUP, UPPER	2	
13-2		COLLARLESS WASHER	1	
13-3		BEARING	2	
13-4		BEARING BUSH	1	
13-5	1909608	LOCKING NUT,BEARING	1	
13-6		BEARING CAGE	1	

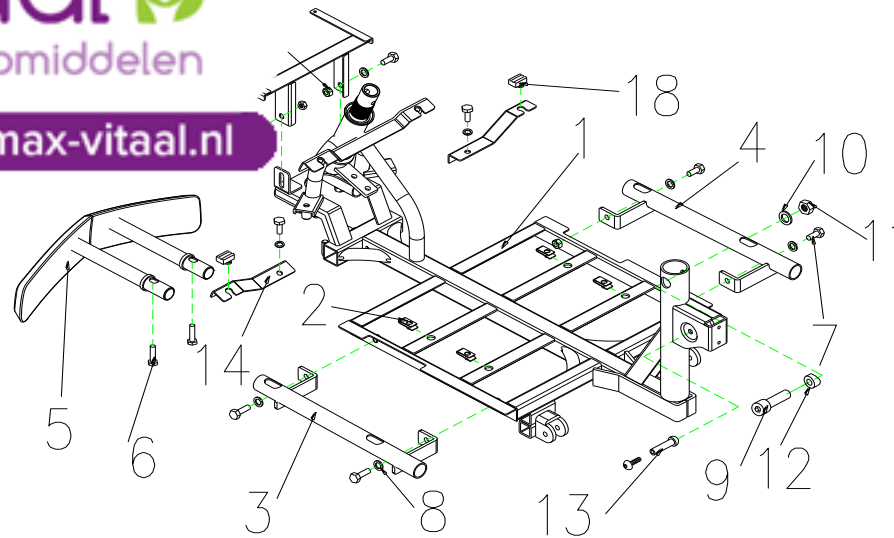


14.ABSORBER,750LBS

Fig&Index NO.	Parts No.	Description	QTY.	Remark
14	1904225	ABSORBER , 750LBS	1	



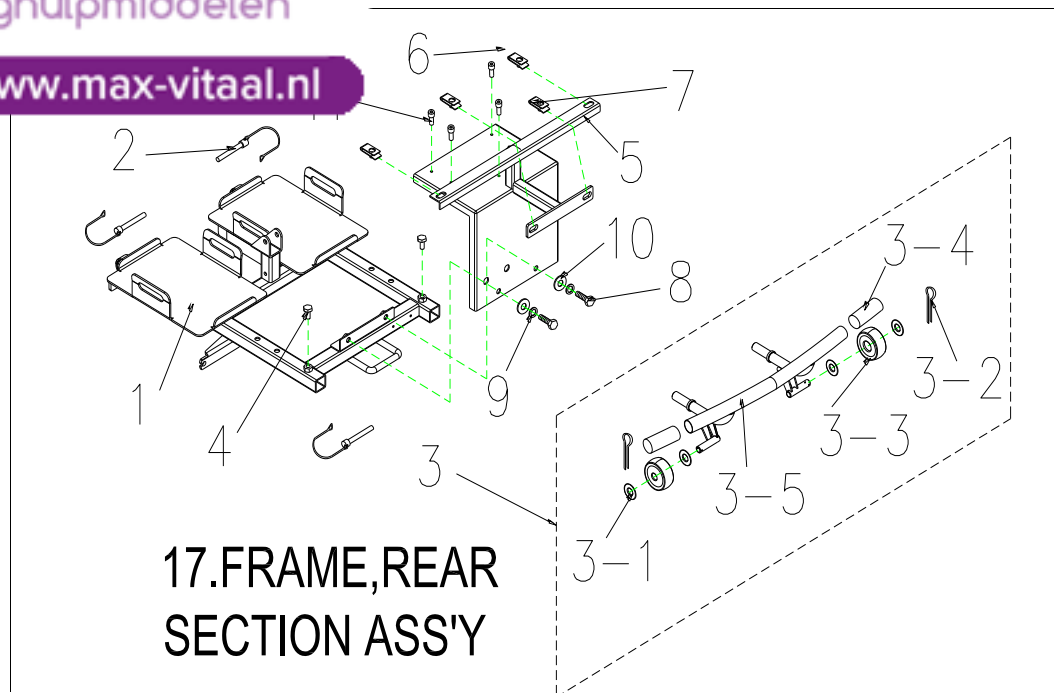
Fig&Index NO.	Parts No.	Description	QTY.	Remark
15		COVER ASS'Y , BATTERY , BLACK 61	1 SET	
15-1	1912476	COVER BATTERY , BLACK 61	1	
15-2	1904390	RUBBER COVER , REAR SHROUD	1	



16.FRAME,FRONT SECTION ASS'Y

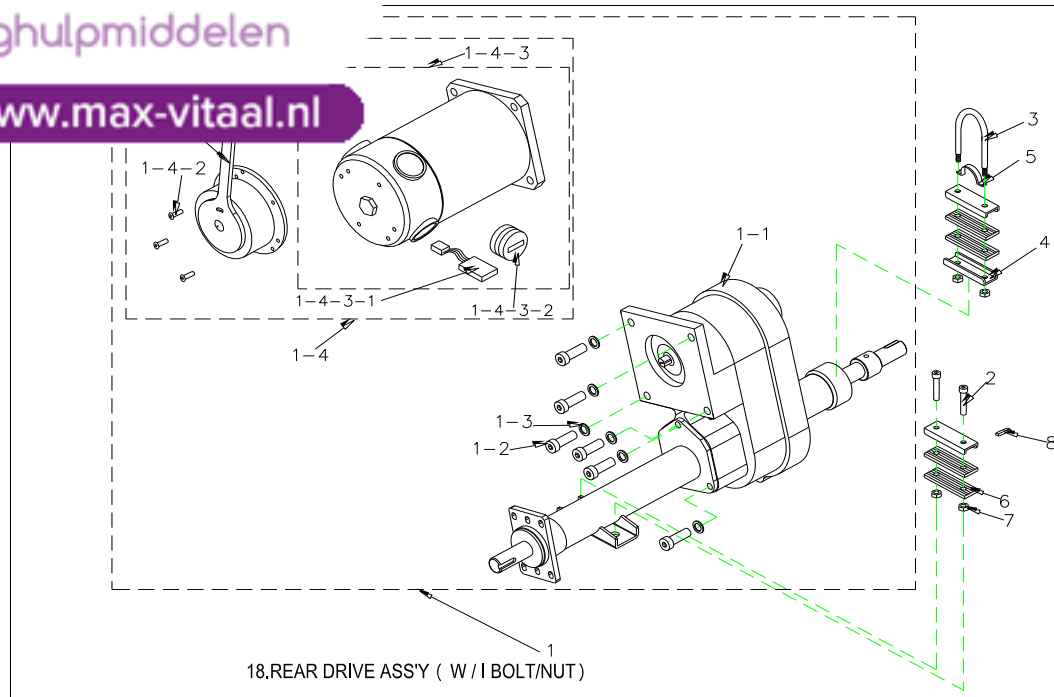
Fig&Index NO.	Parts No.	Description	QTY.	Remark
16		FRAME,FRONT SECTION ASS'Y	1 SET	BEFORE P1144879 USE
16-1	1905063	FRAME,FRONT SECTION	1	
16-2		U-TYPE SPRING NUT	6	
16-3		HOLDER ,FOOTREST , L	1	
16-4		HOLDER ,FOOTREST , R	1	
16-5	1904816	FRONT BUMPER ASSY	1	
16-6		CR ROUND HD SCREW ,M8x30L	2	
16-7		CR ROUND HD SCREW ,M8x40L	8	
16-8		SPRING WASHER ,5/16	8	
16-9		BOLT , M10X55L	1	
16-10		WASHER , M10	1	
16-11		LOCK NUT , M10XP1.5	1	
16-12		WASHER,φ10Xφ19X3.5L	1	
16-13		HEX BOLT , M8xP1.25x30L	1	
16-14		HOLDER , MIDDLE SHROUD	1	
16-15		HOLDER , FRONT SHROUD	1	
16-16		WASHER WO22W18.5T1.5mm	2	
16-17		LOCK NUT , M8XP1.25	2	
16-18		RUBBER DAMPER PAD	2	
16		FRAME,FRONT SECTION ASS'Y	1 SET	AFTER P1144880 USE
16-1		FRAME,FRONT SECTION	1	
16-2		U-TYPE SPRING NUT	6	
16-3		HOLDER ,FOOTREST , L	1	
16-4		HOLDER ,FOOTREST , R	1	
16-5		FRONT BUMPER ASSY	1	
16-6		CR ROUND HD SCREW ,M8x30L	2	
16-7		CR ROUND HD SCREW ,M8x40L	8	
16-8		SPRING WASHER ,5/16	8	
16-9		BOLT , M10X55L	1	
16-10		WASHER , M10	1	
16-11		LOCK NUT , M10XP1.5	1	
16-12		WASHER,φ10Xφ19X3.5L	1	
16-13		HEX BOLT , M8xP1.25x30L	1	
16-14		HOLDER , MIDDLE SHROUD	1	
16-15		HOLDER , FRONT SHROUD	1	
16-16		WASHER WO22W18.5T1.5mm	2	
16-17		LOCK NUT , M8XP1.25	2	
16-18		RUBBER DAMPER PAD	2	

www.max-vitaal.nl



Fig&Index NO.	Parts No.	Description	QTY.	Remark
17		FRAME , REAR SECTION ASS'Y	1 SET	
17-1	1905559	FRAME , REAR SECTION	1	
17-2	1908632	LOCK PIN , Φ8x41L	3	
17-3	1906012	REAR BUMPER ASS'Y	1	
17-3-1	1911290	PLASTIC WASHERw40x17.5x2T	4	
17-3-2		R TYPE PIN	2	
17-3-3	1905008	ANT-TIP WHEELS	2	
17-3-4	1908521	BUMPER GRIP	2	
17-3-5	1905560	REAR BUMPER	1	
17-4		HEX FLANGE BOLT ,M8x30L	2	
17-5	1909152	REAR BRACKET , W/I CONTROLLER HOLDER	1	
17-6		U-TYPE SPRING NUT	2	
17-7	1911840	U-TYPE SPRING NUT	2	
17-8		HEX FLANGE BOLT ,M8x20L	2	
17-9		SPRING WASHER 5/16	2	
17-10		WASHER 5/16	2	
17-11		BOLT M4x30L	3	

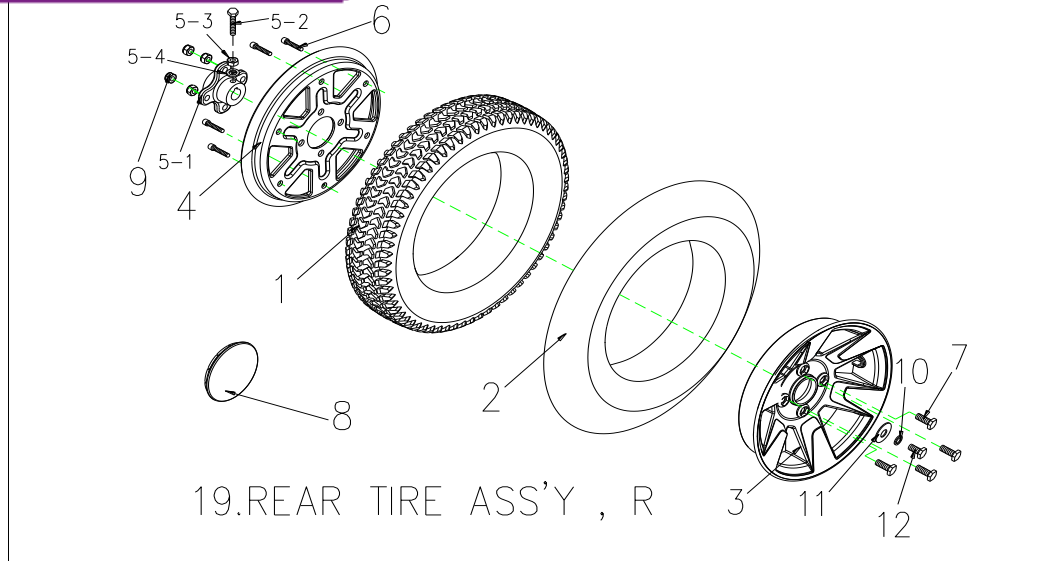
www.max-vitaal.nl



18, REAR DRIVE ASSY (W / I BOLT/NUT)

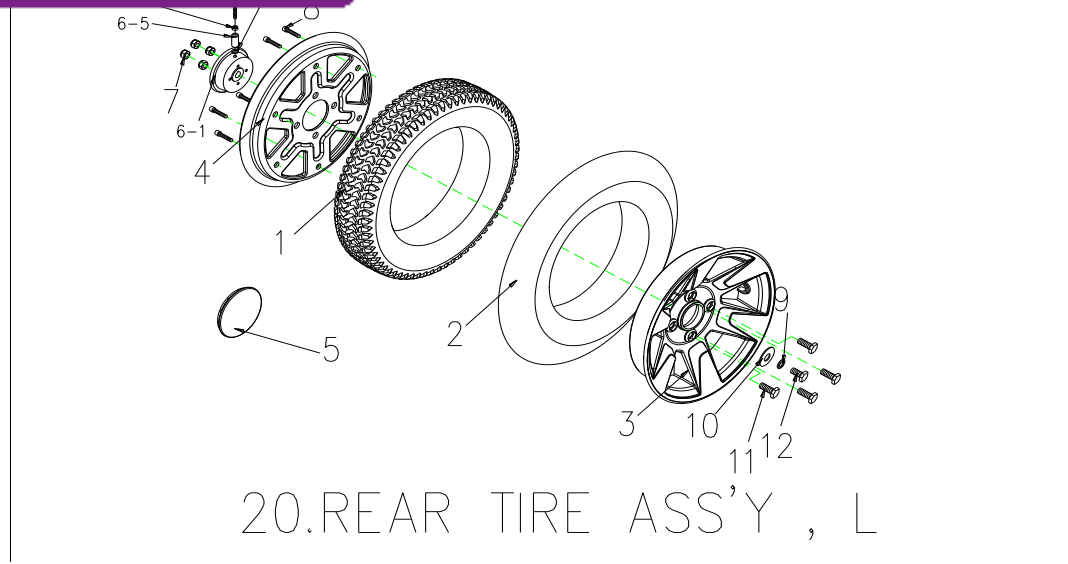
Fig&Index NO.	Parts No.	Description	QTY.	Remark
18		REAR DRIVE ASSY (WITH BOLT / NUT) ,750W5500RPM20 : 1, RHINO 2 USE	1 SET	AFTER P118276 USE
18-1	1904830	REAR DRIVE ASSY (WITHOUT BOLT / NUT) , 750W5500RPM20 : 1,RHINO 2 USE	1	
18-1-1	1904271	TRANSAXLE ONLY (WITHOUT MOTOR) 1:20	1	
18	1904930	REAR DRIVE ASSY (WITH BOLT / NUT) ,750W5500RPM22 : 1, XD	1SET	
18-1	1905024	REAR DRIVE ASSY (WITHOUT BOLT / NUT) , 750W5500RPM22 : 1 XD	1	
18-1-1	1905024	TRANSAXLE ONLY (WITHOUT MOTOR)	1	
18-1-1-1	1904271	PIN 5x5x35	2	
18-1-2	1904271	BOLT , M8x20L	4	
18-1-3	1907794	SPRING WASHER , 5/16	4	
18-1-4	1908012	MOTOR (WITH BRAKE) ,750W5500RPM,RHINO 2 USE	1	
18-1-4-1	1905746	ELECTRO-MAGNETIC BRAKE , 100kaf-cm	1	
18-1-4-2		BOLT , M4x12	3	
18-1-4-3	1905022	MOTOR ONLY , 750W5500RPM	1	
18-1-4-3-1	1904275	CARBON BRUSH , 7x17mm	4	
18-1-4-3-2	1904276	CARBON BRUSH CAP , 7x17mm	4	
18-2	1910810	BOLT ,M8x50	2	
18-3	1910809	U-TYPE BOLT , M6x1.25x98Hx15mm	1	
18-4	1910808	U-TYPE PLATE , MOTOR	3	
18-5	1910811	ARCH TYPE PLATE , MOTOR	1	
18-6	1910812	RUBBER DAMPER PAD , MOTOR	4	
18-7		LOCK NUT , M8x1.25	4	

www.max-vitaal.nl



Fig&Index NO.	Parts No.	Description	QTY.	Remark
19	1908295	REAR TIRE ASS'Y , BLACK , R	1 SET	
19-1	1904287	TIRE , BLACK , 3.0-8C248-16	1	
19-2	1904286	INNER TUBE , 3.0-8	1	
19-3	1908462	WHEEL RIM , ALUMINUM , 8"	1	
19-4	1908461	WHEEL RIM , IRON , 8"	1	
19-5		AXLE COLLAR REAR WHEEL , ASS'Y	1	
19-5-1	1909778	AXLE COLLAR REAR WHEEL	1	
19-5-2		BOLT M8X20L	1	
19-5-3		NUT M8X13	1	
19-5-4		SPRING WASHER	1	
19-6		BOLT M8X30L	6	
19-7		HEXAGONAL BOLT M8x1.25x25L	4	
19-8	1909516	WHEEL COVER	1	
19-9		LOCK NUT , M8x1.25	4	
19-10	1907794	SPRING WASHER , 5/16	1	
19-11	1906451	WASHER , 5/16	1	
19-12	1907793	HEXAGONAL BOLT M8x1.25x20L	1	

www.max-vitaal.nl

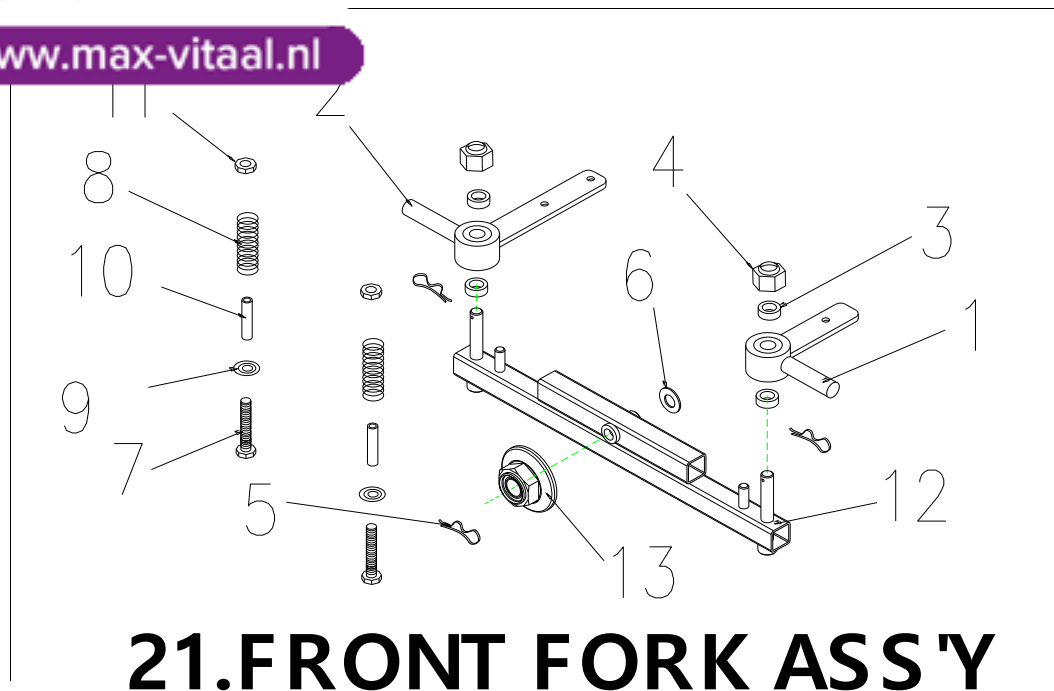


Fig&Index NO.	Parts No.	Description	QTY.	Remark
20	1900296	REAR TIRE ASS'Y,BLACK, L	1 SET	
20-1	1904287	TIRE, BLACK, 3.0-8C248-16	1	
20-2	1904286	INNER TUBE, 3.0-8	1	
20-3	1908462	WHEEL RIM, ALUMINUM, 8"	1	
20-4	1908461	WHEEL RIM, IRON, 8"	1	
20-5	1909516	WHEEL COVER	1	
20-6		WHEEL RIM, STEEL, ASS'Y	1	
20-6-1	1906570	WHEEL RIM, STEEL	1	
20-6-2		BOLT M8X65L	1	
20-6-3		NUT M8X13	1	
20-6-4		SPRING WASHER	1	
20-6-5		AXLE COLLAR, REAR WHEEL	1	
20-7		LOCK NUT, M8x1.25	4	
20-8		BOLT M6x30L	6	
20-9	1907794	SPRING WASHER, 5/16	1	
20-10	1906451	WASHER, 5/16	1	
20-11		BOLT, M8x20L	4	
20-12		BOLT, M8x20L	1	



CARPO 4 IPB

www.max-vitaal.nl

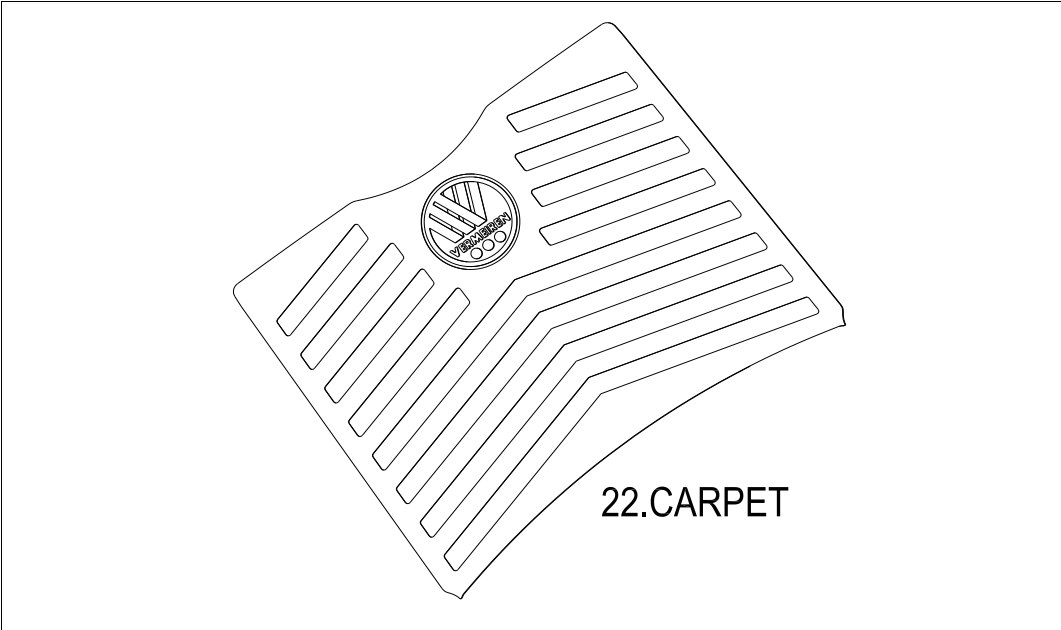


21.FRONT FORK ASS'Y

Fig&Index NO.	Parts No.	Description	QTY.	Remark
21	1906901	FRONT FORK ASS'Y	1 SET	AFTER P1144880 USE
21-1	1904351	STEERING AXLE , L , W/I BEARING 6001ZZ	1	
21-2	1904352	STEERING AXLE , R , W/I BEARING 6001ZZ	1	
21-3	1905330	SPACER , 20x12xT5	4	
21-4	1001684	LOCK NUT , M12	2	
21-5	1909498	R TYPE PIN	3	
21-6		WASHER , 1/2	1	
21-7	1908283	FLANGE BOLT , M8x90	2	
21-8	1904403	SPRING	2	
21-9	1908284	SPRING WASHER	2	
21-10	1908285	SPACER , w14xw8.5x40L	2	
21-11	1905469	LOCK NUT , M8x1.25	2	
21-12	1904253	FRONT FORK	1	
21-13		NUT , M12xP1.25	1	

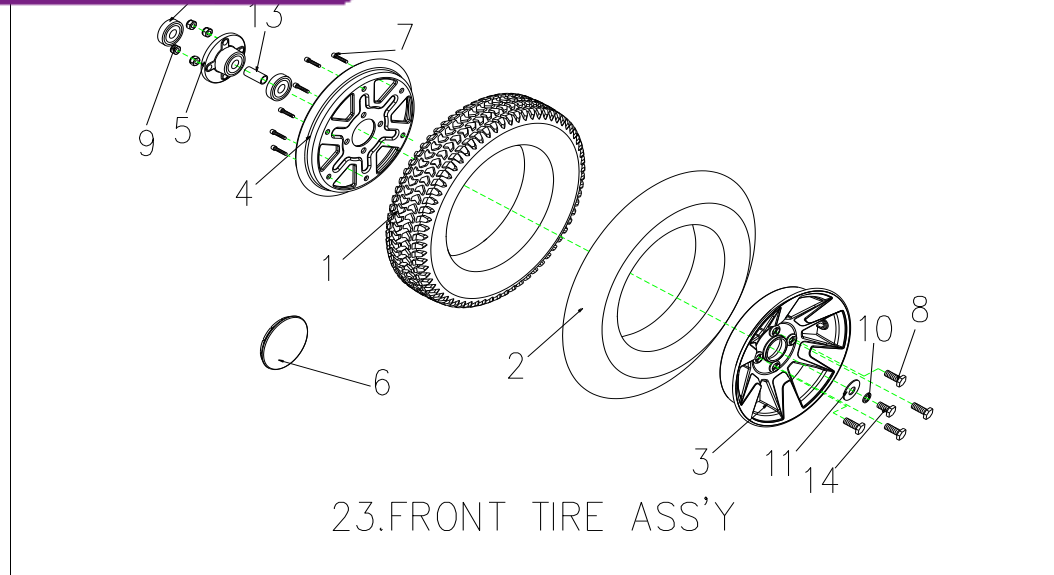


www.max-vitaal.nl



Fig&Index NO.	Parts No.	Description	QTY.	Remark
22	1909971	CARPET . RUBBER.	1	

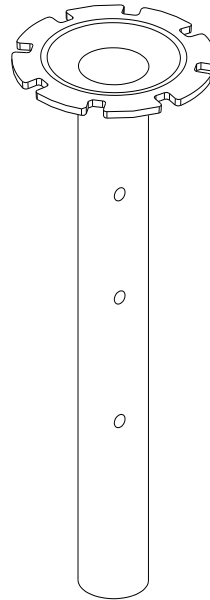
www.max-vitaal.nl



Fig&Index NO.	Parts No.	Description	QTY.	Remark
23	1908294	FRONT TIRE ASS'Y 3.0-8C248 BLACK	1 SET	
23-1	1904282	TIRE , 3.0-8C248 BLACK	1	
23-2	1904286	INNER TUBE 3.0-8	1	
23-3	1908462	WHEEL RIM , ALUMINUM , 8"	1	
23-4	1908461	WHEEL RIM , IRON , 8"	1	
23-5	1905467	AXLE COLLAR,FRONT WHEEL	1	
23-6	1905557	COVER , WHEEL RIM	1	
23-7		BOLT M6x30L	6	
23-8	1905468	HEXAGONAL BOLT M8x1.25x25L	4	
23-9	1905469	LOCK NUT ,M8x1.25	4	
23-10	1906451	SPRING WASHER , 5/16	1	
23-11		WASHER	1	
23-12		BEARING , 6202ZZ	2	
23-13		SPACER	1	
23-14		BOLT , M8x20L	1	

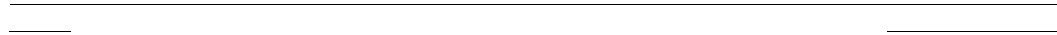


www.max-vitaal.nl



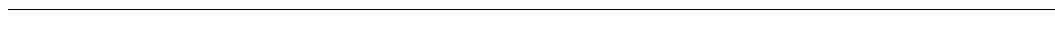
24.SEAT POST

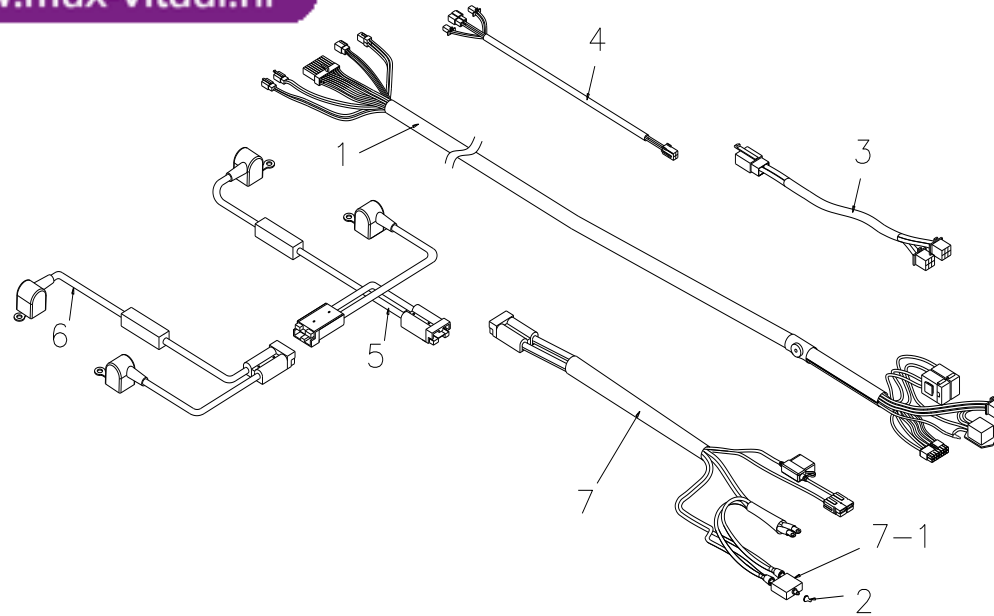
Fig&Index NO.	Parts No.	Description	QTY.	Remark
24	1904313	SEAT POST	1	





CARPO 4 IPB

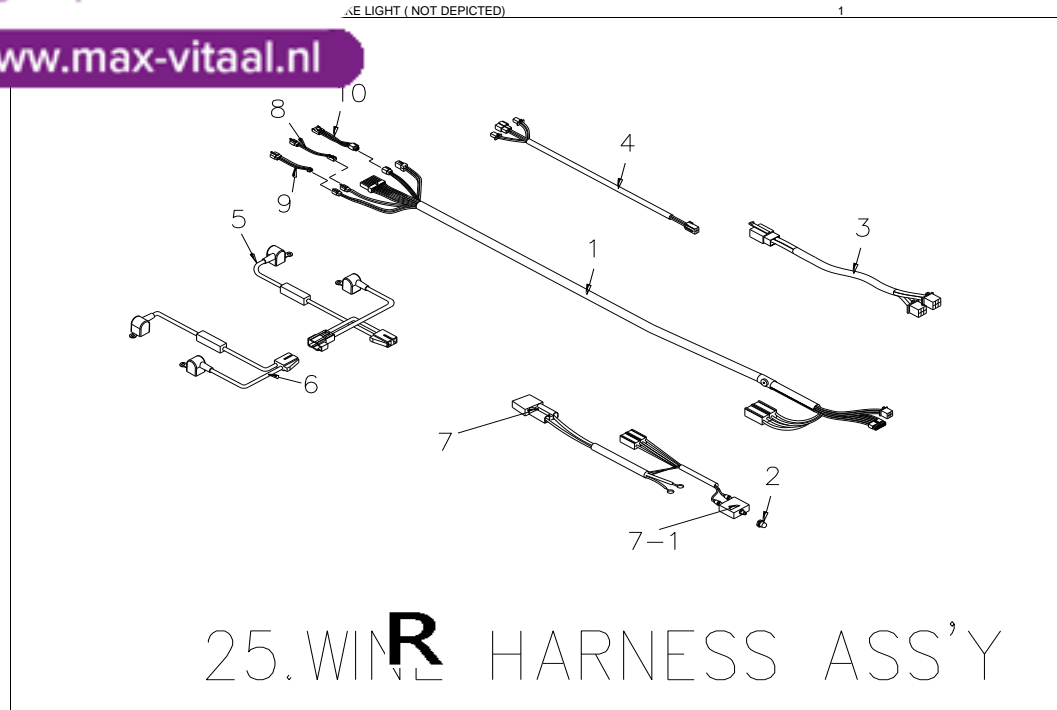




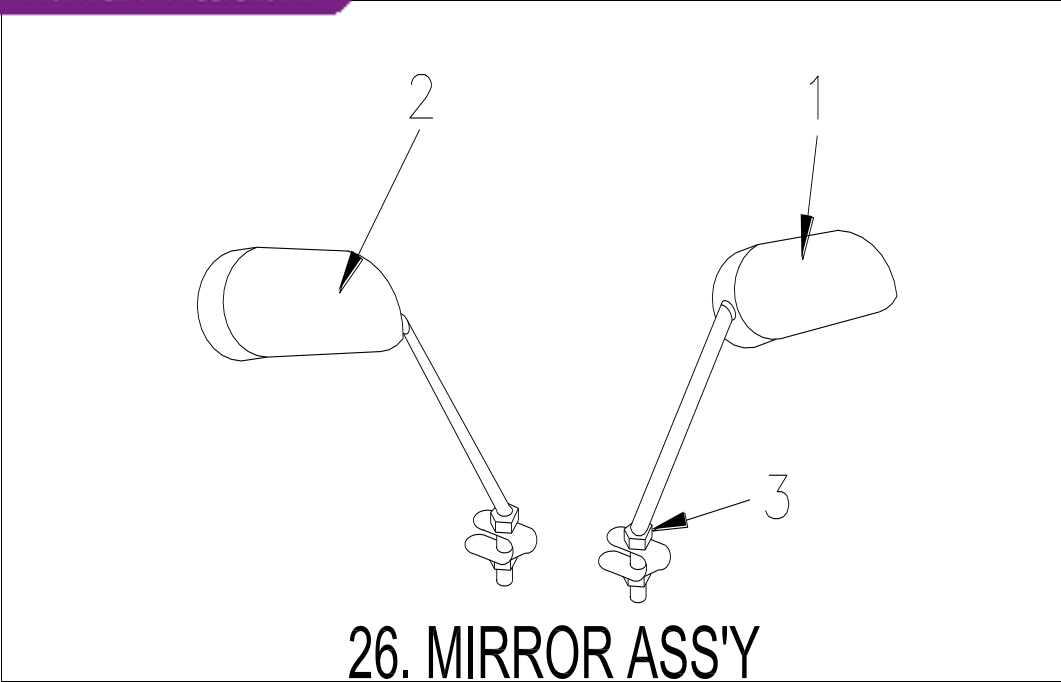
25. WIRE HARNESS ASS'Y

Fig&Index NO.	Parts No.	Description	QTY.	Remark
25		WIRE HARNESS ASS'Y FOR RHINO2 160A (SINGEL CABLE)	1 SET	AFTER P USE
25-1	1909885	WIRE HARNESS , DECAL (SINGEL CABLE)	1	
25-2		PLUG , BREAKER	1	
25-3	1908273	CABLE UNIT , REAR SHROUD	1	
25-4	1904308	WIRE HARNESS FOR SIGNAL LIGHT	1	
25-5	1908274	BATTERY CABLE , W/I FUSE	1	
25-6	1908275	BATTERY CABLE , W/I FUSE	1	
25-7	1909885	POWER CABLE , W/I BREAKER	2	
25-7-1	1908239	BREAKER , 70A	1,00	

www.max-vitaal.nl



Fig&Index NO.	Parts No.	Description	QTY.	Remark
25		WIRE HARNESS ASS'Y FOR RHINO Z 160A /LCD /Single cable	1 SET	AFTER P USE
25-1	1909868	WIRE HARNESS , DECAL (Single cable)	1	AFTER P146800 USE
25-2		PLUG , BREAKER	1	
25-3	1908273	CABLE UNIT , REAR SHROUD	1	
25-4	1904308	WIRE HARNESS FOR SIGNAL LIGHT	1	
25-5	1908274	BATTERY CABLE , W/I FUSE	1	
25-6	1908275	BATTERY CABLE , W/I FUSE	1	
25-7	1909885	POWER CABLE , W/I BREAKER	2	
25-8	NVT	IGNITION SWITCH , ADAPTER	1	
25-9	NVT	SPEED LEVER , ADAPTER	1	
25-10	NVT	FRONT SIGNAL LAMP , ADAPTER	1	
25-7-1	1908239	BREAKER , 70A	1,00	



26. MIRROR ASS'Y

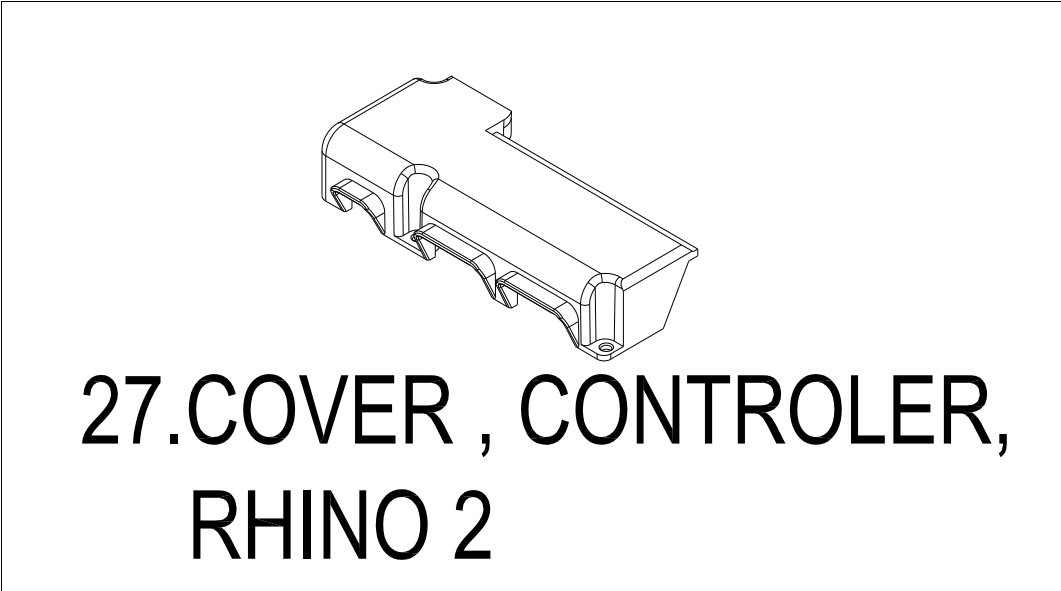
Fig&Index NO.	Parts No.	Description	QTY.	Remark
26		MIRROR COMP	1 SET	
26-1	1904228	MIRROR , R	1	
26-2	1904227	MIRROR , L	1	
26-3		NUT,M10x1,25	2	



CARPO 4 IPB

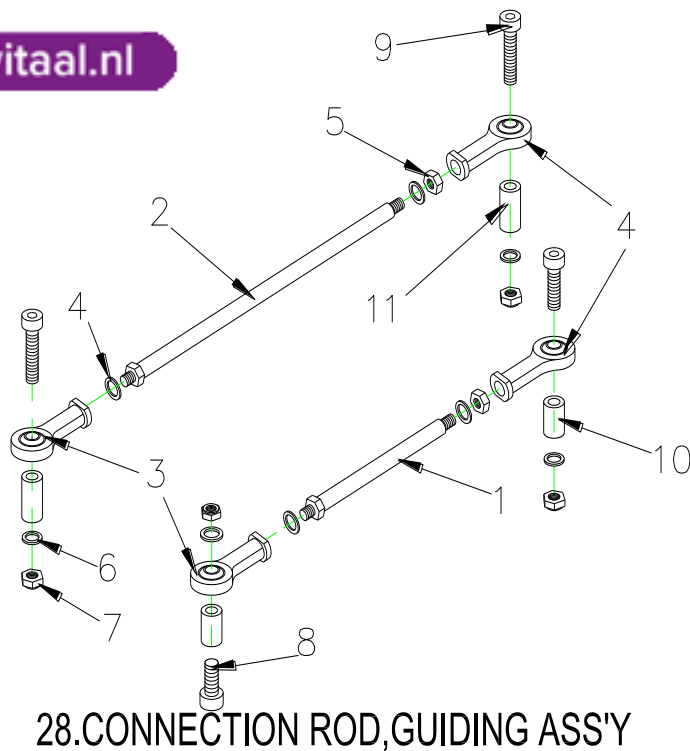


www.max-vitaal.nl

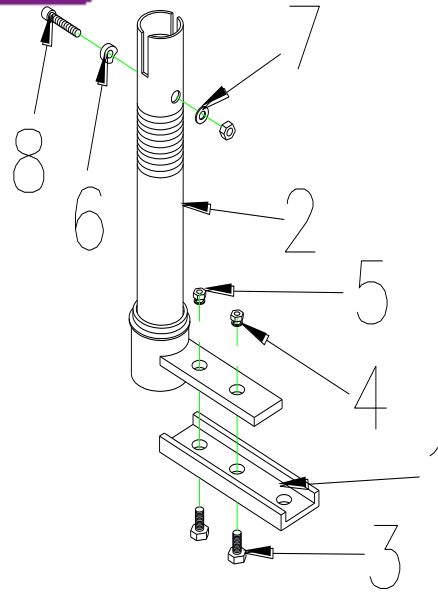


Fig&Index NO.	Parts No.	Description	QTY.	Remark
27		COVER CONTROLER , RHINO 2	1	AFTER P118276 USE

www.max-vitaal.nl

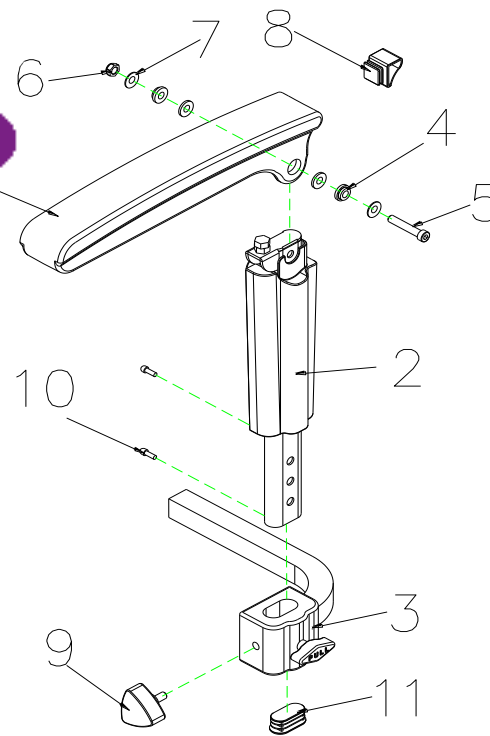


Fig&Index NO.	Parts No.	Description	QTY.	Remark
28	1905333	CONNECTING ROD,FRONT FORK ASS'Y	1 SET	
28-1	1905331	CONNECTION ROD, GUIDING	1	
28-2	1905332	CONNECTION ROD, FRONT FORK	1	
28-3	1907507	BALL JIONT , RBL8 _L	2	
28-4	1908748	BALL JIONT , RBL8 _R	2	
28-5		NUT , M8	2	
28-6		SPRING WASHER , 5/16	4	
28-7		LOCKING NUT , M8	4	
28-8		BOLT M8x50L	2	
28-9		BOLT M8x1.25x65L(ED)	2	
28-10	1908086	SPACER , \varnothing 14X φ 10.5X19L	2	
28-11	1908085	SPACER , 9x32	2	
	1905331	ASS SHORT		



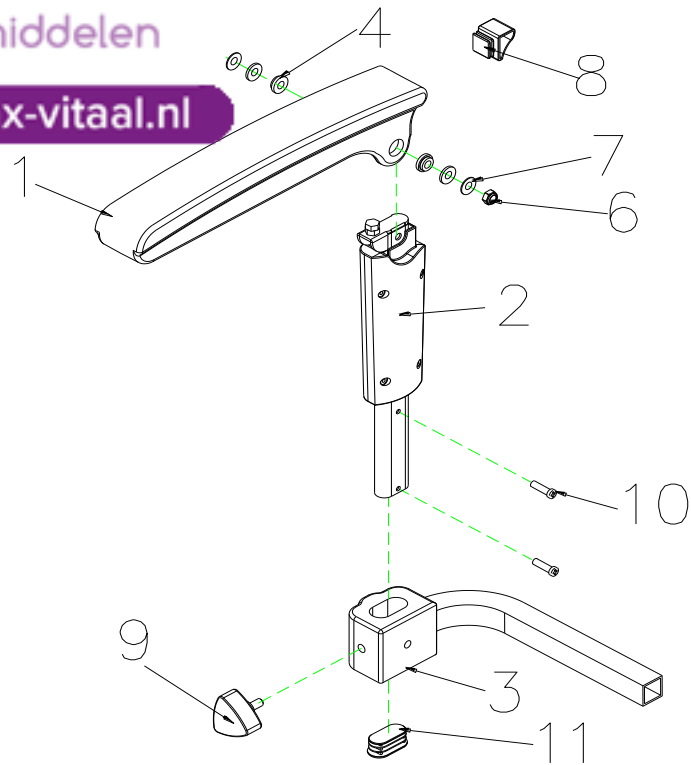
29.L TYPE STEERING AXLE ASS'Y

Fig&Index NO.	Parts No.	Description	QTY.	Remark
29	1907609	L TYPE STEERING AXLE ASS'Y	1 SET	
29-1	1904455	STEERING ARM	1	
29-2		L TYPE STEERING AXLE ASS'Y	1	
29-3		BOLT M8X20L	2	
29-4		WASHER,5/16	2	
29-5		LOCK NUT,M8X1.25	3	
29-6		WASHER	1	
29-7		WASHER , Φ19xΦ8x1.5T	1	
29-8		BOLT M8x40L	1	



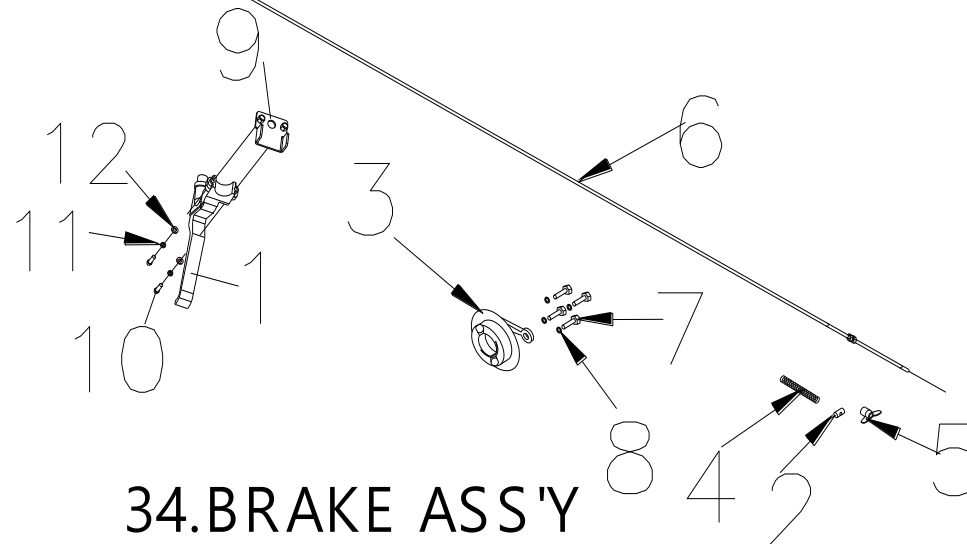
30. ARMREST ASS'Y , L

Fig&Index NO.	Parts No.	Description	QTY.	Remark
30	1904605	ARMREST , ADJUSTABLE , L , WI COVER	1	
30-1		ARMREST , UPPER	1	
30-2	1904969	ARMREST , LOWER, L	1	
30-3	1905936	ARMREST ADJUSTMENT BASE	1	
30-4		WASHER , 8mm	4	
30-5	1908423	HEXAGON BOLT , M8x55	1	
30-6		LOCK NUT , M8x1,25	1	
30-7	1908424	WASHER , M8	4	
30-8		PLUG	1	
30-9	1905612	BOLT,W/I KNOB , M8x20	1	
30-10		BOLT , M4X12	2	
30-11		PLUG-OB2040C	1	



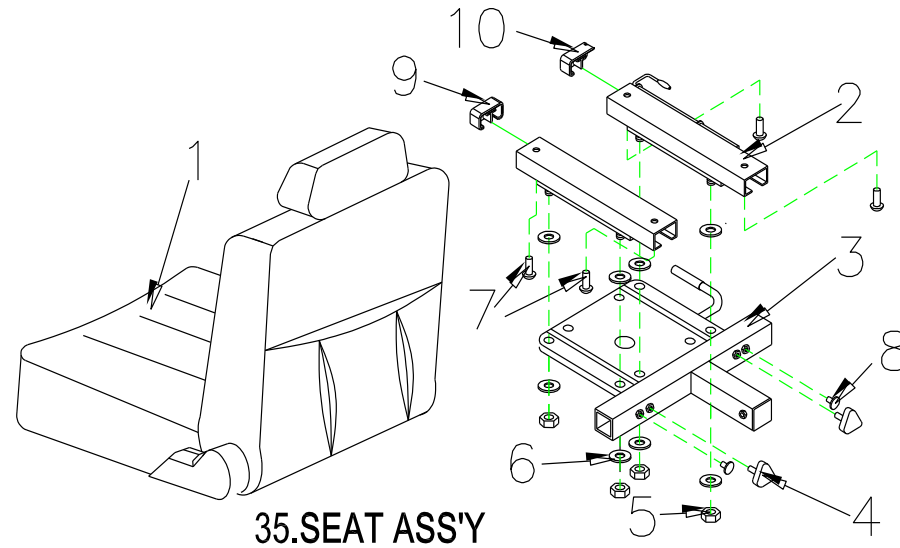
32. ARMREST ASS'Y , R

Fig&Index NO.	Parts No.	Description	QTY.	Remark
32	1904414	ARMREST , ADJUSTABLE , R , WI COVER	1	
32-1		ARMREST , UPPER	1	
32-2	1904970	ARMREST , LOWER, R	1	
32-3		LOCK NUT , M8x1.25	1	
32-4		WASHER , 8mm	4	
32-5	1908423	HEXAGON BOLT , M8x55L	1	
32-6	1908424	LOCK NUT , M8x1.25	1	
32-7	1908425	WASHER , M8	4	
32-8		PLUG	1	
32-9	1905612	BOLT,W/I KNOB , M8x20	2	
32-10		BOLT , M4X12	2	
32-11		PLUG-OB2040C	1	



34. BRAKE ASS'Y

Fig&Index NO.	Parts No.	Description	QTY.	Remark
34	1910783	BRAKE ASS'Y	1 SET	
34-1	1906303	LEVER , BRAKE	1	
34-2		PIN , BRAKE	1	
34-3	1905553	COVER BRAKE,REAR	1	
34-4		SPRING , BRAKE	1	
34-5		NUT , BRAKE	1	
34-6	1913023	CABLE , BRAKE	1	
34-7		BOLT , M6x10	4	
34-8		SPRING WASHER , M6	4	
34-9	1903950	HOLDER , BRAKE	1	
34-10		BOLT , M5x20L	2	
34-11		SPRING WASHER ,M5	2	
34-12		WASHER,M5	2	



35. SEAT ASS'Y

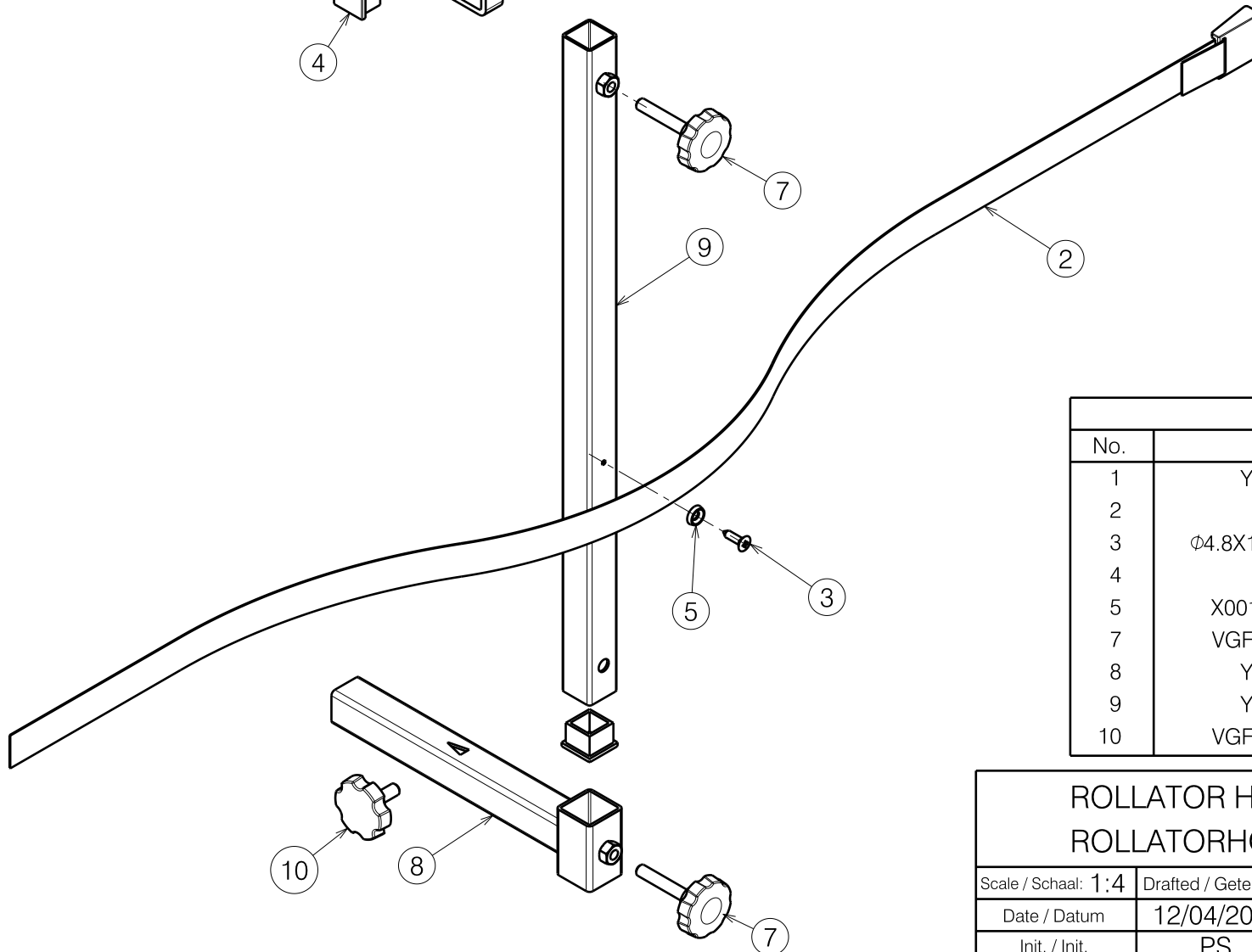
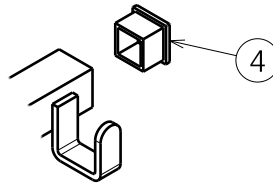
Fig&Index NO.	Parts No.	Description	QTY.	Remark
35	1904565	18" SEAT ASS'Y , TA-386C3	1 SET	
35-1	1905879	RECLINING SEAT ,18X18X22" , (TA386C3)	1	
35-2	1907265	SLIDER , 150mm	1 SET	
35-3		SEAT PLATE	1	
35-4	1905612	BOLT,W/I KNOB , M8x25	2	
35-5	1905469	LOCK NUT , M8x1,25	4	
35-6	1906451	WASHER , 5/16	8	
35-7	1907567	BOLT , M8x15L	4	
35-8	1907266	PLUG ,	2	
35-9	1907269	PLUG , SLIDER , L	1	
35-10	1907270	PLUG , SLIDER , R	1	
35-11		SPRING WASHER , M8	4	



www.max-vitaal.nl

Fig&Index NO.	Parts No.	Description	QTY.	Remark
38		ACCESSORIES		
38-1		PLASTIC BASKET ASSY	1	
38-1-1		BASKET , PLASTIC	1	
38-1-2		BASKET HOLDER,PAINTED UPPER	1	
38-1-3		BASKET HOLDER,PAINTED,LOWER	1	
38-1-4		BOLT M6X15L	4	
38-1-5		LOCK NUT , M6X1.0	4	
38-1-6		WASHER , OD=19/ID=7/T=1mm	4	
38-2		SPEED SENSOR ASSY	1	
38-2-1	1908761	SPEED SENSOR	1	
38-2-2		SPEED SENSOR , BRACKET	1	
38-32	1913856	BASKET , PLASTIC	1	



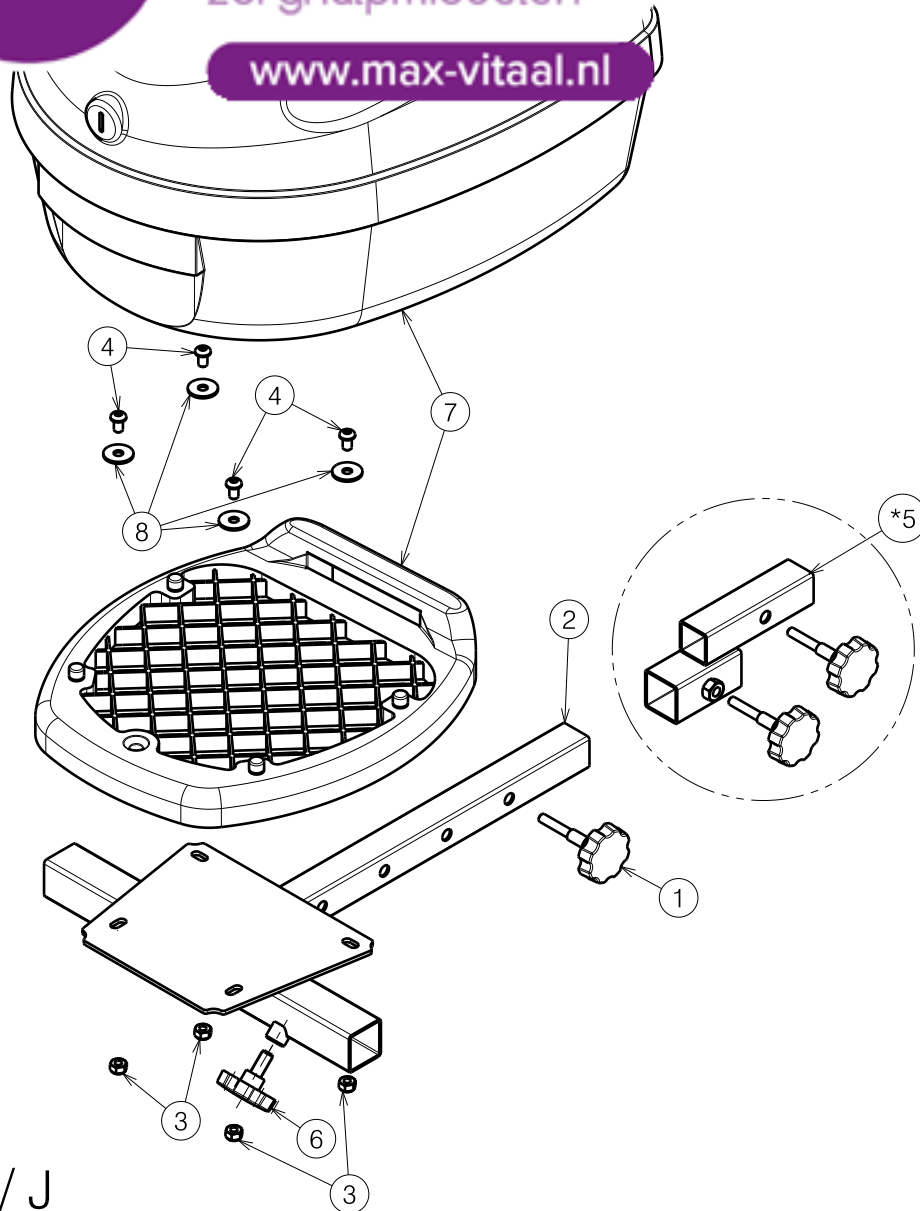


Material			
No.	Plan	Article	Quantity
1	Y008182	1610754	1
2	Belt	1000551	1
3	Ø4.8X19 (DIN7983)	1001534	1
4	25x25	1001617	3
5	X001473 (PA6)	1002994	1
7	VGf 40 M8x45	2990016	2
8	Y023056	2051554	1
9	Y023058	2052254	1
10	VGf 40 M8x16	2990024	1

1904796

ROLLATOR HOLDER SHOPRIDER ROLLATORHOUDER SHOPRIDER			Plan No. / Plannr. E000218/F
Scale / Schaal: 1:4	Drafted / Getekend	Verified / Nagezien	Confirmed / Bevestigd
Date / Datum	12/04/2005	03/05/2019	03/05/2019
Init. / Init.	PS	TT	PJ





E000813 / J

* Adapter Carpo4 Deluxe / Carpo2 / Ceres

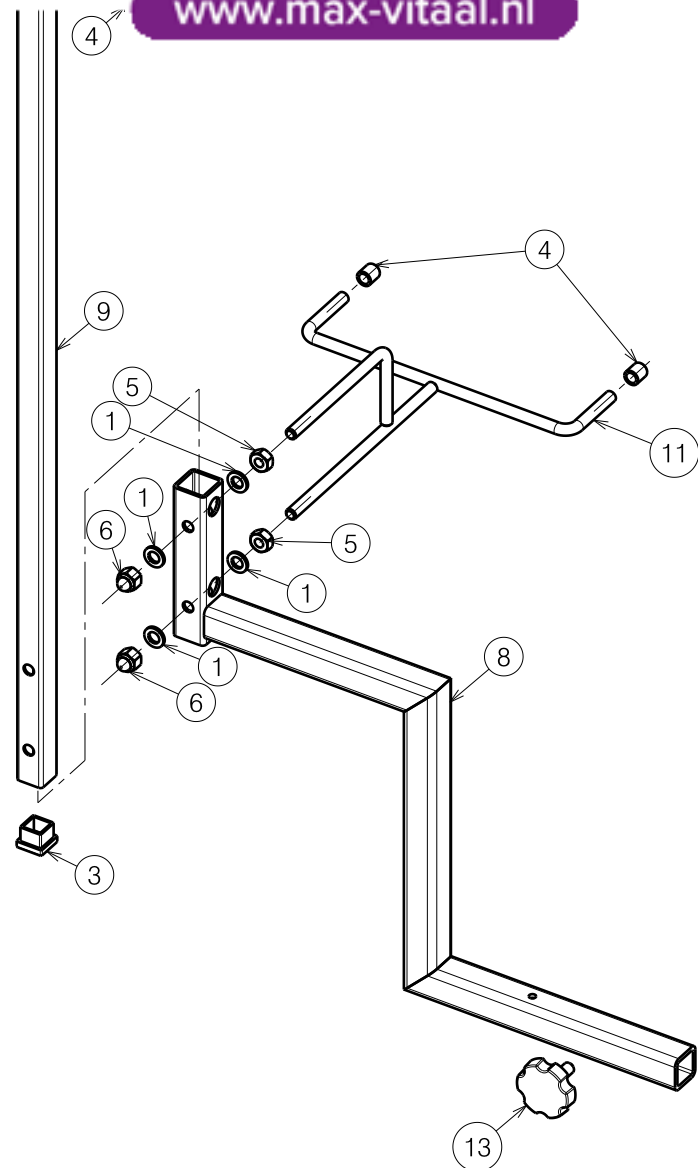
Material			
No.	Plan	Article	Quantity
1	XP00116	2990074	1
2	Y018748	1773854	1
3	---	1001682	4
4	---	1900641	4
*5	E001128	1908396	1
6	---	2990024	1
7	---	W201138	1
8	---	1909451	1

1908395 *

1908152

SW03 TOPCASE FOR SCOOTER SW03 KOFFER VOOR SCOOTER			Plan No. E000813 / J
Scale: 1:5	Drafted	Verified	Confirmed
Date	29/05/2012	06/05/2019	06/05/2019
Initials	TT	TT	PJ





Material			
No.	Plan	Article	Quantity
1	M8 DIN125B	1001556	4
2	M8x20	1001580	1
3	20x20	1001612	1
4	∅7.8	1001622	6
5	M8 DIN934	1001671	2
6	M8x14	1902024	2
8	Y022385	2042104	1
9	Y021532	2014304	1
10	Y021533	2014004	1
11	Y021537	2014204	1
13	M8x16	2990024	1

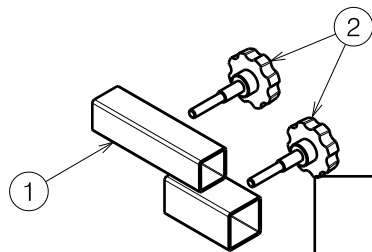
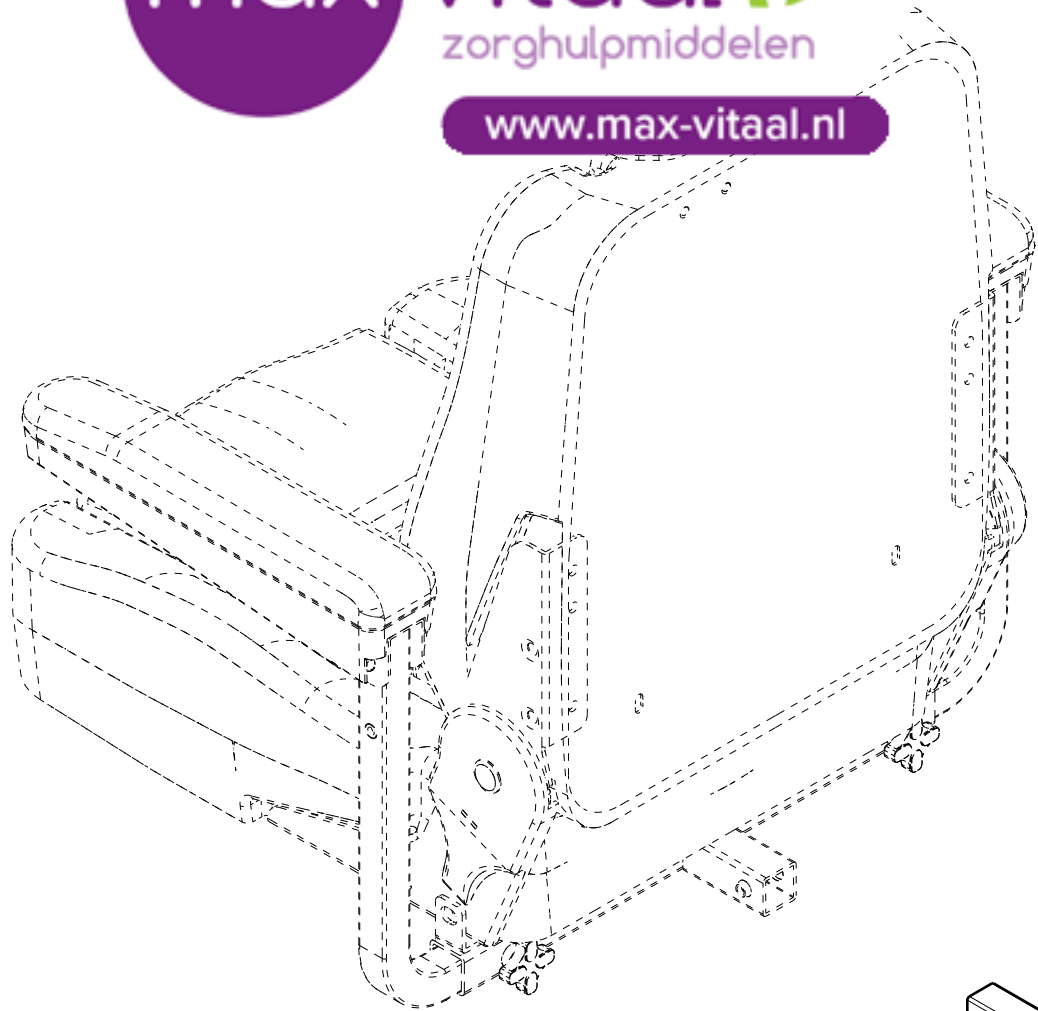
E000996 / F

1913980

ROLLATOR HOLDER FOR QUADRI LIGHT				Plan No.
				E000996 / F
Scale: 1:5	Drafted	Verified	Confirmed	
Date	21/09/2015	06/05/2019	06/05/2019	
Initials	TT	TT	PJ	



www.max-vitaal.nl



Material			
No.	Plan	Article	Quantity
1	Y018809	1776254	1
2	XP00116 VGF 40 M8x16 L=45	2990074	2

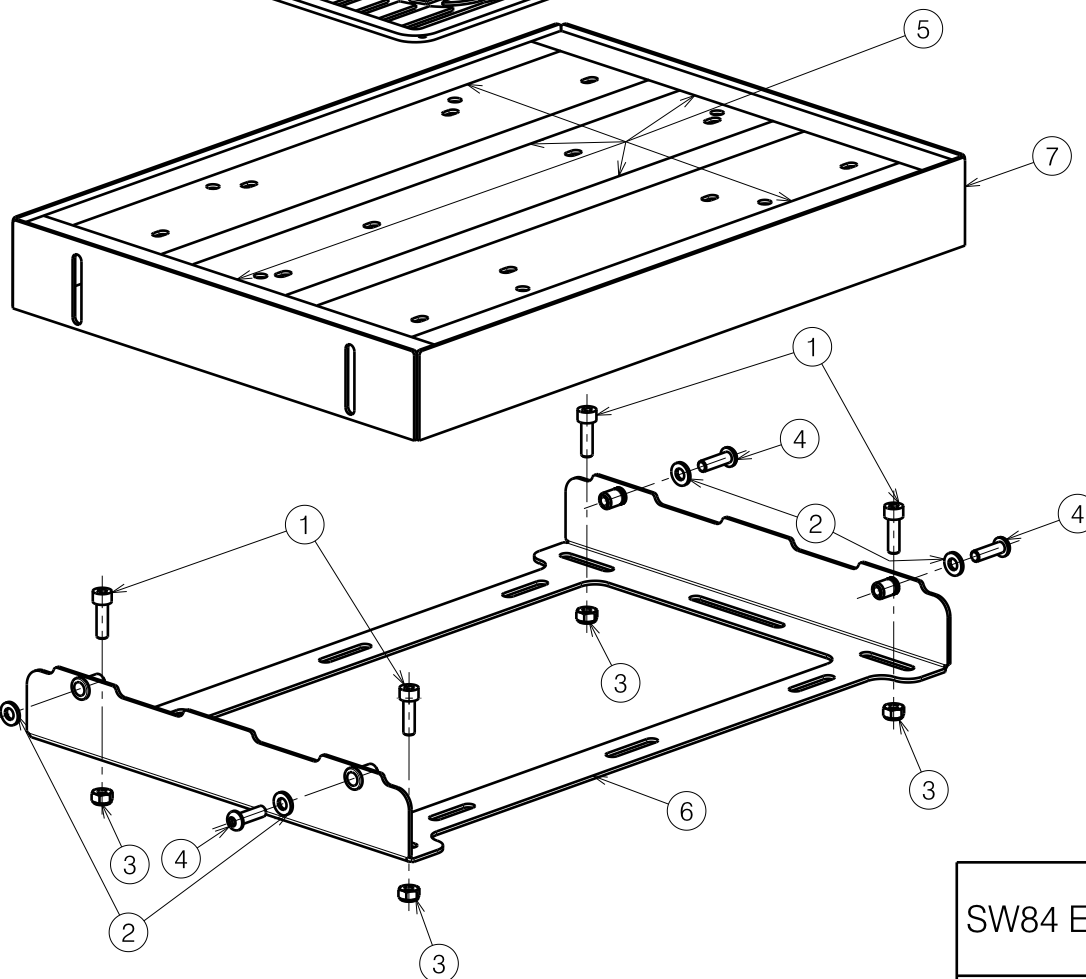
1908396

ADAPTER FOR SW03 CARPO / CERES				Plan No.
				E001128 / A
Scale: 1:5	Drafted	Verified	Confirmed	
Date	03/05/2019	06/05/2019	06/05/2019	
Initials	TT	SD	PJ	

E001128 / A



www.max-vitaal.nl



Material			
No.	Plan	Article	Quantity
1	M6x20 DIN912/8.8	1001493	4
2	M6 DIN125A	1001564	4
3	M6 DIN985	1001680	4
4	M6x20 ISO7380	1006999	4
5	24mm	1904848	2m
6	Y023670	2072854	1
7	Y023674	2072954	1
8	XC00496	3991982	1

Note:

Position of mounting holes, for bolts (item 1) in plastic foot plate, can vary from model to model. Use plate sleeves of frame (item 6) as guides to drill the holes and to avoid drilling through cables or chassis tubes

E001130 / C

SW84 ELEVATED FOOT PLATE CARPO-CERES

Plan No.

E001130 / C

Scale: 1:4

Drafted

Verified

Confirmed

Date

18/06/2019

27/05/2020

27/05/2020

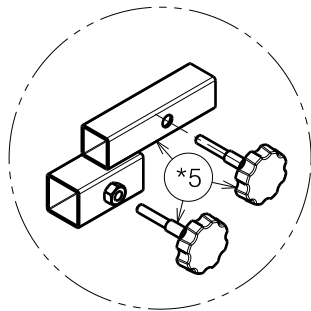
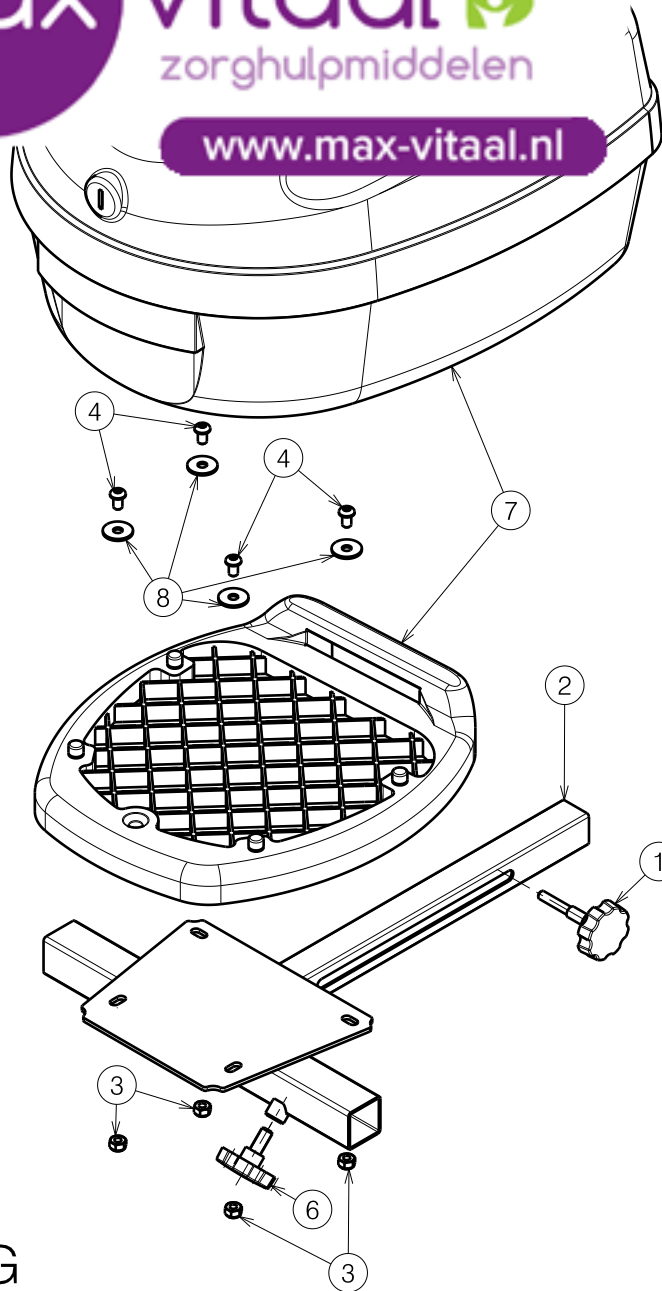
Initials

TT

TT

PJ





* attachment Carpo4 Deluxe

Material			
No.	Plan	Article	Quantity
1	XP00116	2990074	1
2	Y018748	1773854	1
3	---	1001680	4
4	---	1900641	4
*5	---	1908396	1
6	---	2990024	1
7	---	W201138	1
8	---	1997328	4

1908395*
1908152

LUGGAGE RACK TYPE CERES4-CARPO4				Plan No.
BAGAGE REK TYPE CERES4-CARPO4				E000813 / G
Scale: 1:5	Drafted	Verified	Confirmed	
Date	29/05/2012	03/07/2014	03/07/2014	
Initials	TT	JG	PJ	